



## VOILA ACCESS

### Features

- Input voltage: 220–240 V AC, 50/60 Hz
- Input voltage range: 198–264 V AC
- Electrical protection class 2
- IP: 55, with silicone gasket
- IK: 10 / 20 joules
- Incandescent wire test 850 °C / 30 s
- Rated ambient operating temperature: 25 °C
- Operating temperature range : -20 °C ... +35 °C
- Anti-rip-out skirt, 4 internal fixing points
- VK26 wall-mounted, VK26 ceiling-mounted
- CRI: 80
- SDCM (Standard Deviation Colour Matching): 5
- Photobiological hazard: RG0
- Energy class C light source
- Lumen maintenance: L70B10 / 56,000 hours
- Repairable luminaire. Spare parts available on demand
- 3-year guarantee, details of conditions available on [securlite.com](https://www.securlite.com)

### Applications

- Decorative luminaire for indoor and outdoor environments subject to moderate vandalism
- Conditions of use:
  - Models with detection: installation indoor only
  - Installation positions: refer to installation instructions

### Materials

- Base: recycled polycarbonate
- Diffuser: opal polycarbonate
- RoHS: the products contain no prohibited substances as defined in the European Directive 2011/65/UE and amendments

### Colours / Finish

- Standard base colours: white RAL9003 / black RAL9005
- Screw covers: white RAL9003 / black RAL9005

### Wiring

- 1 × 20,5 mm Ø cable entry + 1 knockout × 20,5 mm Ø cable entry for cable gland
- Supply terminal block: automatic dual-entry for 1.5 mm<sup>2</sup> conductors
- Side cable entries for plastic conduit for renovation

*Technical and dimensional data are given for information only and may be modified at any time without notice. Please enquire before ordering.*

20/09/2024

## Fixings

- Vandal-resistant versions use M5 stainless 2-point tamper-proof diffuser fixing screws
- Captive screws with diffuser

## Option

- Stainless crosspoint screws: add the suffix **9702** to the product code – example: 107xxxxx **9702**

## Accessories (to be ordered separately)

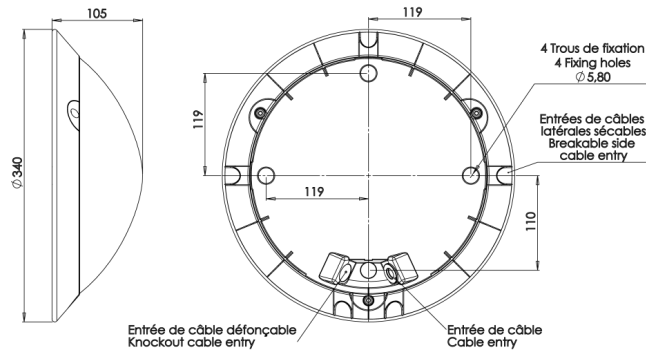
- M5 bit for 2-point tamper-proof screws – code: **98000003**
- Bit-holder screwdriver – code: **980000005**

## Approvals

Certificates available:

- CE certificate (as per EN60598-1 / 2-1)
- Incandescent Wire Test certificate (depending on product)
- EPD available for ON/OFF white version : <https://register.pep-ecopassport.org>
- EPD available for Controllable white version : <https://register.pep-ecopassport.org>

## Dimensions



## Technical data and order codes

VOILA ACCESS						
Designation	CCT (K)	Power (W)	Power in stand-by (W)	Luminaire output (lm)	Luminaire efficacy (lm/W)	Reference
Voila Access white 1200	4000	10	-	1090	109	10720400
Voila Access black 1200	4000	10	-	1080	108	10722400
Voila Access white 2000	4000	14	-	1600	114,3	10730400
Voila Access black 2000	4000	14	-	1540	110	10732400
Voila Access white 2750	4000	19	-	2325	122,4	10740400
Voila Access black 2750	4000	19	-	2220	116,8	10742400

VOILA ACCESS with detection						
<i>technical specifications and conditions for detection (NOT0805): <a href="http://www.securlite.com">www.securlite.com</a></i>						
Designation	CCT (K)	Power (W)	Power in stand-by (W)	Luminaire output (lm)	Luminaire efficacy (lm/W)	Reference
Voila Access white 1200	4000	11	<0,5	1090	99	10720410
Voila Access black 1200	4000	11	<0,5	1080	108	10722410
Voila Access white 2000	4000	15	<0,5	1600	106,7	10730410
Voila Access black 2000	4000	15	<0,5	1540	110	10732410
Voila Access white 2750	4000	19	<0,5	2325	122,4	10740410
Voila Access black 2750	4000	19	<0,5	2220	116,8	10742410

Operating instruction : [www.securlite.com](http://www.securlite.com) (NOT0315)

Technical and dimensional data are given for information only and may be modified at any time without notice. Please enquire before ordering.

20/09/2024