



## **VOILA ACCESS ASYMMETRIC with Detection + Extinction or Standby warning**

### **Features**

- Input voltage: 220–240 V AC, 50/60 Hz
- Input voltage range: 198–264 V AC
- Electrical protection class 2
- IP: 55, with silicone gasket
- IK: 10 / 20 joules
- Incandescent wire test 850 °C / 30 s
- Rated ambient operating temperature: 25 °C
- Anti-rip-out skirt, 4 internal fixing points
- VK26 wall-mounted
- CRI: 80
- SDCM (Standard Deviation Colour Matching): 5
- Photobiological hazard: RG0
- Energy class C light source
- Lumen maintenance: L70B10 / 56,000 hours
- Repairable luminaire. Spare parts available on demand
- 5-year guarantee, details of conditions available on [securlite.com](https://www.securlite.com)

### **Applications**

- Decorative luminaire for indoor and outdoor environments subject to moderate vandalism
- Conditions of use:
  - Models with detection: installation indoor only
  - Installation positions: refer to installation instructions

### **Materials**

- Base: recycled polycarbonate
- Diffuser: opal polycarbonate
- Aluminium reflector
- RoHS: the products contain no prohibited substances as defined in the European Directive 2011/65/UE and amendments

### **Colours / Finish**

- Standard base colours: white RAL9003 / black RAL9005
- Screw covers: white RAL9003 / black RAL9005

### **Wiring**

- 1 × 20,5 mm Ø cable entry + 1 knockout × 20,5 mm Ø cable entry for cable gland
- Supply terminal block: automatic dual-entry for 1.5 mm<sup>2</sup> conductors
- Side cable entries for plastic conduit for renovation

## Fixings

- Vandal-resistant versions use M5 stainless 2-point tamper-proof diffuser fixing screws
- Captive screws with diffuser

## Option

- Stainless crosspoint screws: add the suffix **9702** to the product code – example: 107xxxxx **9702**

## Accessories (to be ordered separately)

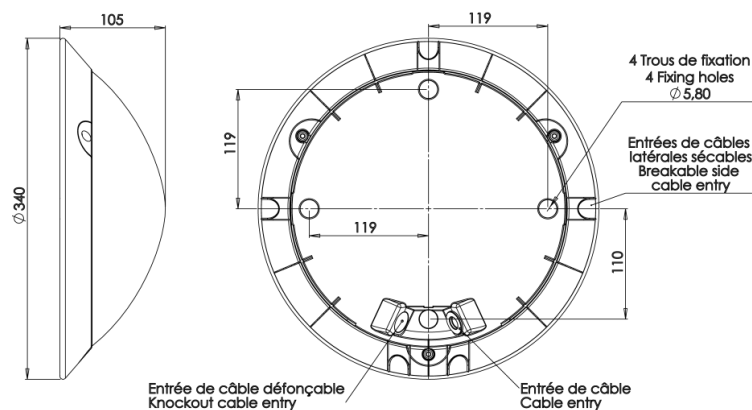
- M5 bit for 2-point tamper-proof screws – code: **98000003**
- Bit-holder screwdriver – code: **980000005**

## Approvals

Certificates available:

- CE certificate (as per EN60598-1 / 2-1)
- Incandescent Wire Test certificate (depending on product)

## Dimensions



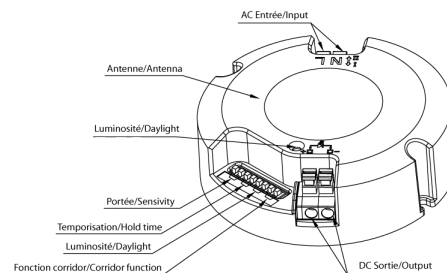
## Technical data and order codes

VOILA ACCESS ASYMMETRIC with Detection + Extinction or Standby Warning						
technical specifications and conditions for detection (NOT0865): <a href="http://www.securlite.com">www.securlite.com</a> (NOT0865)						
Designation	CCT (K)	Power (W)	Power in stand-by (W)	Luminaire output (lm)	Luminaire efficacy (lm/W)	Reference
Voila Access Asymmetric 2600 White	4000	16	<0,5	2100	131	10760418
Voila Access Asymmetric 2600 Black	4000	16	<0,5	2094	131	10762418

## Operating instruction : [www.securlite.com](http://www.securlite.com) (NOT0315)

Factory preset:

- Sensitivity 50%
- Hold time 90 s
- Light level 50 lux
- Stand-by period 30s



## Operating instruction : [www.securlite.com](http://www.securlite.com) (NOT0865)