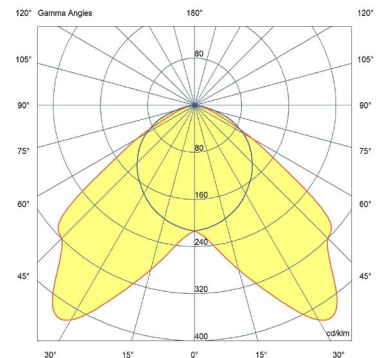




SYSTEO S CLEAR + BATWING OPTICS

Features

- Input voltage : 220-240V AC, 50/60 Hz
- Input voltage range : 198-264 V AC
- Electrical protection class : 2
- IP : 65
- IK : 11+ / 80 joules
- Incandescent wire test 850° / 30 s
- Rated ambient operating temperature : 25° C
- Operating temperature range : -20 °C ... +35 °C
- VK 45 (wall and ceiling-mounted) / 22 (suspended)
- IRC : 80
- SDCM : 3
- Photobiological hazard : RG0
- Energy class C light source
- Lumen maintenance : L80B10 / over 72 000 h
- Lumen maintenance : L90B50 / 50 000 h
- Number of detector switching cycles: 1,000,000 at maximum load.
- Repairable luminaire. Spare parts available on demand
- 5-year guarantee, details of conditions available on securlite.com



Applications

- Architectural luminaire with batwing optics for indoor and outdoor environments subject to moderate vandalism
- Street lighting luminaire for optical installation towards the ground
- Conditions of use :
 - UGR and GR to be confirmed for each lighting project
 - Version with detection : not recommended for outdoor use
 - Installation positions : refer to installation instructions

Material

- Aluminium alloy body
- Metal alloy end caps and covers
- Clear polycarbonate diffuser + batwing flow control optics
- Plug-in terminal block
- Gasket made of SEBS
- RoHS : the products contain no prohibited substances as defined in the European Directive 2011/65/UE and amendments 2011/65/UE et avenants

Colours / Finish

- Two-layer corrosion protection
- Standard colour : Grey RAL7016 fine texture

Wiring

- Supply terminal block : connector conductors
 - 1,5mm² (3G1.5mm² or 5G1.5mm² cable)
 - 2.5mm² (3G2.5mm² cable only)
- 1 input at one end via cable gland IP67 ISO M20 for cable Ø 6 to 12 mm max
- Not apparent quick power connection

Screws

- Locking of the light unit with two stainless steel safety screws Torx + Pin (M5 – Tx25)
- Locking of the end caps with two stainless steel security screws Torx + Pin (M4 – Tx20)

Facilities available

- Through wiring - (ex : 56xxxxxx**9101**)
- UV reinforced varnish or anti-graffiti – (ex : 56xxxxxx**9601**)
- Lareral cable entry - (ex : 56xxxxxx**9805**)
- Lateral cable entries with through-wiring – (ex : 56xxxxxx**9806**)

Tools *(to be ordered separatly)*

- Head insert Torx + Pin (screw M4 – TX20) - code : **98000036**
- Head insert Torx + Pin (screw M5 – TX25) - code : **98000012**
- Screwdriver insert holder – code : **98000005**
- Remote control for radio controlled version – code : **98000010**

Accessories *(to be ordered separatly)*

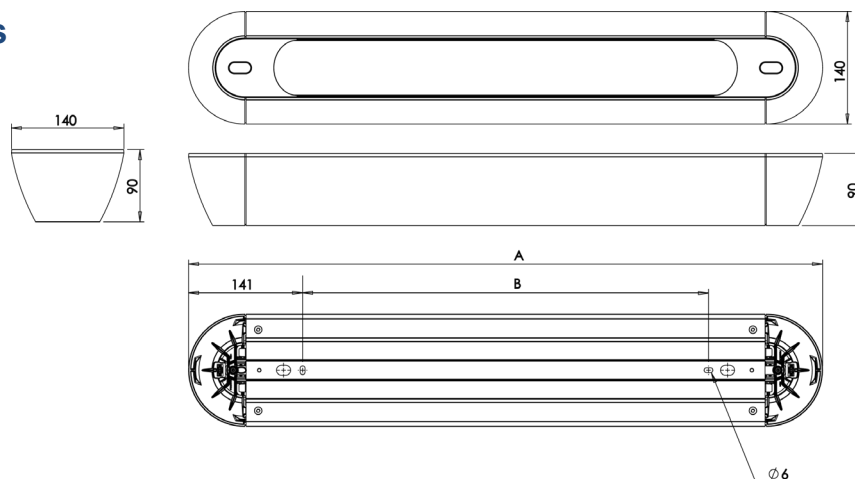
- Suspended mounting kit : **98540002**

Approvals

Certificates available :

- CE certificate (as per EN60598-1 / 2-1 / 2-3)
- Incandescent wire test certificate (depending on product)

Dimensions



A (mm)	B wall and ceiling-mounted version (mm)	B suspended version (mm)	KG
1066	783	779	7,30 Kg
1346	1063	1059	8,90 Kg

Technical and dimensional data are given for information only and may be modified at any time without notice. Please enquire before ordering.

Technical data and order codes

SYSTEO S CLEAR + BATWING OPTICS							
Length L (mm)	CCT (K)	Power (W)	Power in standby (W)	Power factor	Luminaire output (lm)	Luminaire efficacy (lm/W)	Reference
1066	3000	9,1	-	0,75	1000	111	56291300
1066	4000	9,1	-	0,75	1050	117	56291400
1066	3000	14	-	0,85	1600	114	56261300
1066	4000	14	-	0,85	1700	121	56261400
1346	3000	19	-	0,90	2250	124	56271300
1346	4000	19	-	0,90	2350	129	56271400

SYSTEO S CLEAR + BATWING OPTICS – slave version + extinction warning							
Length L (mm)	CCT (K)	Power (W)	Power in standby (W)	Power factor	Luminaire output (lm)	Luminaire efficacy (lm/W)	Reference
1066	3000	9,0	<0,20	0,75	1000	111	56291304
1066	4000	9,0	<0,20	0,75	1050	117	56291404
1066	3000	14	<0,20	0,85	1600	114	56261304
1066	4000	14	<0,20	0,85	1700	121	56261404
1346	3000	19	<0,20	0,90	2250	124	56271304
1346	4000	19	<0,20	0,90	2350	129	56271404

SYSTEO S CLEAR + BATWING OPTICS – slave version + standby warning							
Length L (mm)	CCT (K)	Power (W)	Power in eco mode ⁽¹⁾ (W)	Power factor	Luminaire output (lm)	Luminaire efficacy (lm/W)	Reference
1066	3000	9,0	2,4	0,75	1000	111	56291305
1066	4000	9,0	2,4	0,75	1050	117	56291405
1066	3000	14	3,0	0,85	1600	114	56261305
1066	4000	14	3,0	0,85	1700	121	56261405
1346	3000	19	3,2	0,90	2250	124	56271305
1346	4000	19	3,2	0,90	2350	129	56271405

SYSTEO S CLEAR + BATWING OPTICS – with Pro detection + radio-control							
Technical specifications and conditions of use for detection : www.securlite.com (NOT0420)							
Length L (mm)	CCT (K)	Power (W)	Power in standby (W)	Power factor	Luminaire output (lm)	Luminaire efficacy (lm/W)	Reference
1066	3000	10	<0,50	0,77	1000	100	56291316
1066	4000	10	<0,50	0,77	1050	105	56291416
1066	3000	15	<0,50	0,85	1600	114	56261316
1066	4000	15	<0,50	0,85	1700	121	56261416
1346	3000	20	<0,50	0,90	2250	118	56271316
1346	4000	20	<0,50	0,90	2350	123	56271416

SYSTEO S CLEAR + BATWING OPTICS - DALI dimmable + switch dimming							
Technical specifications and conditions of use for dali : www.securlite.com (NOT0880)							
Length L (mm)	CCT (K)	Power (W)	Power in standby (W)	Power factor	Luminaire output (lm)	Luminaire efficacy (lm/W)	Reference
1066	3000	9,0	<0,20	0,75	1000	111	56291321
1066	4000	9,0	<0,20	0,75	1050	117	56291421
1066	3000	14	<0,20	0,85	1600	114	56261321
1066	4000	14	<0,20	0,85	1700	121	56261421
1346	3000	19	<0,20	0,90	2250	124	56271321
1346	4000	19	<0,20	0,90	2350	129	56271421

SYSTEO S CLEAR + BATWING OPTICS – with Pro detection + radio-control + extinction warning							
Technical specifications and conditions of use for detection : www.securlite.com (NOT0420)							
Length L (mm)	CCT (K)	Power (W)	Power in standby (W)	Power factor	Luminaire output (lm)	Luminaire efficacy (lm/W)	Reference
1066	3000	10	<0,50	0,77	1000	100	56291344
1066	4000	10	<0,50	0,77	1050	105	56291444
1066	3000	15	<0,50	0,85	1600	114	56261344
1066	4000	15	<0,50	0,85	1700	121	56261444
1346	3000	20	<0,50	0,90	2250	118	56271344
1346	4000	20	<0,50	0,90	2350	123	56271444

Technical and dimensional data are given for information only and may be modified at any time without notice. Please enquire before ordering.

Technical data sheet

SYSTEO S CLEAR + BATWING OPTICS – FT0322

Technical data and order codes

SYSTEO S CLEAR + BATWING OPTICS – with Pro detection + radio-control + standby warning							
Technical specifications and conditions of use for detection : www.securlite.com (NOT0420)							
Length L (mm)	CCT (K)	Power (W)	Power in eco mode ⁽¹⁾ (W)	Power factor	Luminaire output (lm)	Luminaire efficacy (lm/W)	Reference
1066	3000	10	3,2	0,77	1000	100	56291345
1066	4000	10	3,2	0,77	1050	105	56291445
1066	3000	15	3,6	0,85	1600	114	56261345
1066	4000	15	3,6	0,85	1700	121	56261445
1346	3000	20	4,0	0,90	2250	118	56271345
1346	4000	20	4,0	0,90	2350	123	56271445

(1) : eco mode: operating mode with luminous flux reduced to 10% of nominal.

Operating instruction : www.securlite.com (NOT0890)