



## VOILA E27

### Features

- Input voltage: 220–240 V AC, 50/60 Hz
- Input voltage range: 198–264 V AC
- Electrical protection class 2
- IP: 55, with silicone gasket
- IK: 10 / 20 joules
- Incandescent wire test 850 °C / 30 s
- Rated ambient operating temperature: 25 °C
- Operating temperature range : -20 °C ... +35 °C
- Anti-rip-out skirt, 4 internal fixing points
- VK26 wall-mounted, VK26 ceiling-mounted
- Number of detector switching cycles: 1,000,000 at maximum load.
- Repairable luminaire. Spare parts available on demand
- 1-year guarantee, details of conditions available on [securlite.com](http://securlite.com)

### Applications

- Decorative luminaire for indoor and outdoor environments subject to moderate vandalism
- Conditions of use:
  - Models with detection: suitable for indoor use
  - Installation positions: refer to installation instructions

### Materials

- Base: recycled polycarbonate
- Diffuser: opal polycarbonate
- RoHS: the products contain no prohibited substances as defined in the European Directive 2011/65/UE and amendments

### Colours / Finish

- Standard base colours: white RAL9003, black RAL9005, grey RAL7035
- Screw covers: white RAL9003, black RAL9005, grey RAL7035

### Wiring

- 1 × 20,5 mm Ø cable entry + 1 knockout × 20,5 mm Ø cable entry for cable gland
- Supply terminal block: automatic dual-entry for 1.5 mm<sup>2</sup> conductors
- Side cable entries for plastic conduit for renovation

### Fixings

- Standard versions use M5 stainless cross-point diffuser fixing screws (VK24)
- Vandal-resistant versions use M5 stainless 2-point tamper-proof diffuser fixing screws
- Captive diffuser screws

Technical and dimensional data are given for information only and may be modified at any time without notice. Please enquire before ordering.

1

29/04/2024

## Facilities available

- Stainless crosspoint screws: add the suffix **9702** to the product code – example: 104xxxxx **9702**
- White screw cover RAL9003 code: **98100012**
- Grey screw cover RAL7035 code: **98100011**
- Black screw cover RAL9005 code: **98100003**

## Accessories

(to be ordered separately)

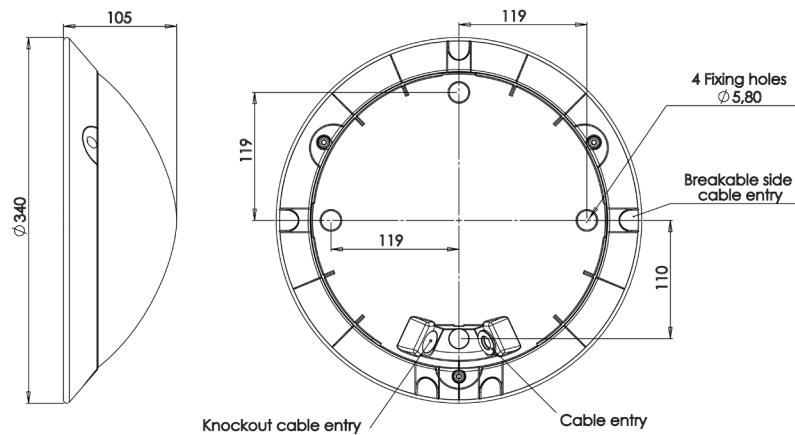
- M5 bit for 2-point tamper-proof screws – code: **98000003**
- Bit-holder screwdriver – code: **98000005**

## Approvals

Certificates available:

- CE certificate (as per EN60598-1 / 2-1)
- Incandescent Wire Test certificate (depending on product)

## Dimensions



## Technical data and order codes

VOILA										
Designation	lampholder	CCT (K)	Lampe power (W)	Luminaire power (W)	Flux from source (lm)	Luminaire output (lm)	Luminaire efficacy (lm/W)	White	Grey	Black
E27 without lamp	E27	-	-	-	-	-	-	10400000	10403000	10402000

VOILA with detection										
technical specifications and conditions for detection (NOT0400): <a href="http://www.securlite.com">www.securlite.com</a> (NOT0400)										
Designation	lampholder	CCT (K)	Lampe power (W)	Luminaire power (W)	Flux from source (lm)	Luminaire output (lm)	Luminaire efficacy (lm/W)	White	Grey	Black
E27 without lamp	E27	-	-	-	-	-	-	10400011	10403011	10402011

## Operating instruction : [www.securlite.com](http://www.securlite.com) (NOT0315)

Technical and dimensional data are given for information only and may be modified at any time without notice. Please enquire before ordering.