




URBALINE

Features

- Input voltage: 220–240 V, 50/60 Hz
- Input voltage range: 198–264 V AC
- Electrical protection class 1
- IP: 65
- IK: 11 / 50 joules or IK11++ / 150 joules (depending on version)
- Incandescent wire test 850 °C / 30 s
- Rated ambient operating temperature: 25 °C
- Operating temperature range : -20 °C ... +35 °C
- Polycarbonate end caps: VK36 angle mounted, VK35 surface mounted, VK36 ceiling mounted
- Aluminium end caps: VK76 angle mounted, VK75 surface mounted, VK76 ceiling mounted
- CRI: 80
- SDCM (Standard Deviation Colour Matching): 3
- Photobiological hazard: RG0
- Energy class C light source
- Lumen maintenance: L80B10 / over 72,000 hours
- Lumen maintenance: L90B50 / 52,000 hours
- Number of detector switching cycles: 1,000,000 at maximum load.
- Repairable luminaire. Spare parts available on demand
- 5-year guarantee, details of conditions available on securlite.com

Applications

- Decorative strip luminaire for indoor and outdoor environments subject to moderate and severe vandalism
- Conditions of use:
 - Models with detection: suitable for indoor use
 - Installation positions: refer to installation instructions
 -  *The angle version must be installed in a corner and fixed on both walls (see drawing "dimensions")*

Materials

- Body: 4 mm thick marine-grade 6060 aluminium
- Reinforced end caps in PC (50 joules) or aluminium (150 joules)
- Diffuser: opal polycarbonate
- RoHS: the products contain no prohibited substances as defined in the European Directive 2011/65/CE and amendments

Colours / Finish

- Colour: anodized aluminium Qualanod 20 µ

Wiring

- Supply terminal block: automatic dual-entry for 3 x 1.5 mm² conductors

Fixings

- Diffuser closed using M5 stainless fixing screws with 2-point tamper-proof heads and captive washers

Facilities available

- Stainless crosspoint screws (VK54) add the suffix 9702 to the product code – example: 66xxxxxx **9702**
- Standby LED (on request): add the suffix 9301 to the product code – example: 66xxxxxx **9301** (except version module 1)

Accessories

(to be ordered separately)

- M5 bit for 2-point tamper-proof screws – code: **98000003**
- M5 bit-holder screwdriver – code: **98000005**

Approvals

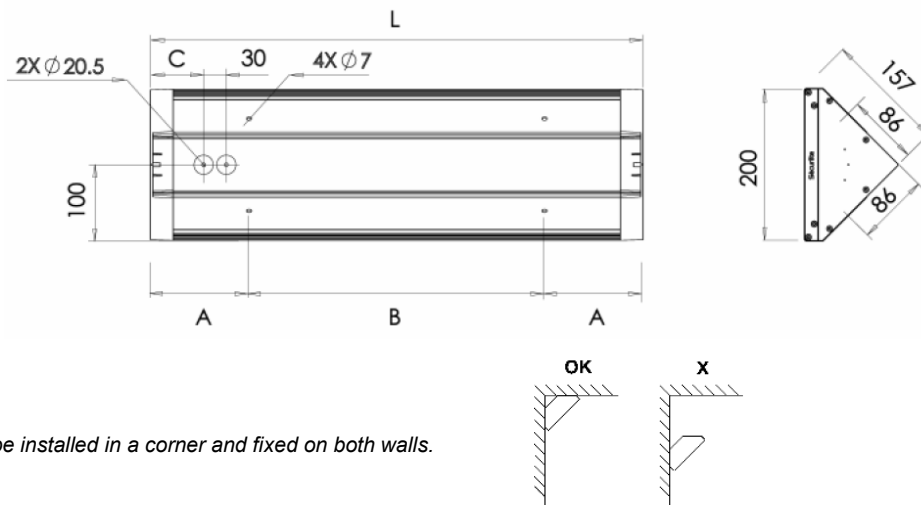
Certificates available:

- CE certificate (as per EN60598-1 / 2-1)
- Incandescent Wire Test certificate (depending on product)

Dimensions

Angle mounted

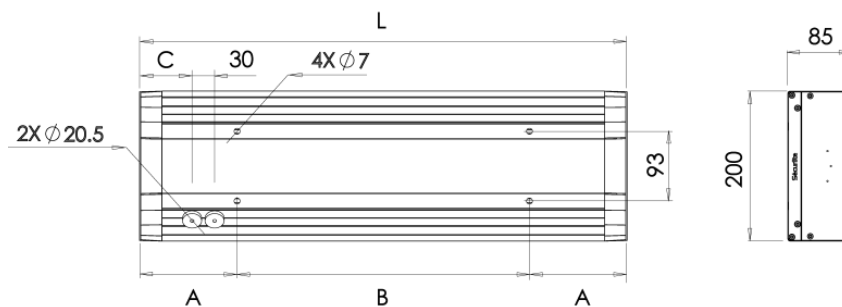
Version angle :



! The angle version must be installed in a corner and fixed on both walls.

Surface mounted

Version applique :



A, B and C: refer to notice (**NOT0655**)

Technical and dimensional data are given for information only and may be modified at any time without notice. Please enquire before ordering.

05/01/2024

Technical data and order codes

LED									
Designation	CCT (K)	Power (W)	Length L (mm)	Luminaire light output (lm)	Luminaire efficacy (lm/W)	SURFACE mounting 50J	ANGLE mounting 50J	SURFACE mounting 150J	ANGLE mounting 150J
Urbaline 1x1 module	3000	11	370	850	77,3	65009300	66009300	65309300	66309300
Urbaline 1x1 module	4000	11	370	900	81,8	65009400	66009400	65309400	66309400
Urbaline 1x2 modules	3000	21	650	2000	95,2	65019300	66019300	65319300	66319300
Urbaline 1x2 modules	4000	21	650	2050	97,6	65019400	66019400	65319400	66319400
Urbaline 1x3 modules	3000	31	930	3000	96,8	65029300	66029300	65329300	66329300
Urbaline 1x3 modules	4000	31	930	3100	100	65029400	66029400	65329400	66329400
Urbaline 1x4 modules	3000	43	1210	4000	93	65039300	66039300	65339300	66339300
Urbaline 1x4 modules	4000	43	1210	4150	96,5	65039400	66039400	65339400	66339400
Urbaline 2x1 module	3000	17	370	1750	102,9	65049300	66049300	65349300	66349300
Urbaline 2x1 module	4000	17	370	1800	105,9	65049400	66049400	65349400	66349400
Urbaline 2x2 modules	3000	43	650	4000	93	65059300	66059300	65359300	66359300
Urbaline 2x2 modules	4000	43	650	4150	96,5	65059400	66059400	65359400	66359400
Urbaline 2x3 modules	3000	62	930	6000	96,8	65069300	66069300	65369300	66369300
Urbaline 2x3 modules	4000	62	930	6250	145,3	65069400	66069400	65369400	66369400
Urbaline 2x4 modules	3000	70	1210	6950	99,3	65079300	66079300	65379300	66379300
Urbaline 2x4 modules	4000	70	1210	7250	103,6	65079400	66079400	65379400	66379400

LED + Pro detection									
technical specifications and conditions of use for detection : www.securlite.com (NOT0410)									
Designation	CCT (K)	Power (W)	Length L (mm)	Luminaire light output (lm)	Luminaire efficacy (lm/W)	SURFACE mounting 50J	ANGLE mounting 50J	SURFACE mounting 150J	ANGLE mounting 150J
Urbaline 1x1 module	3000	12	435	850	70,8	65009312	66009312	65309312	66309312
Urbaline 1x1 module	4000	12	435	900	75	65009412	66009412	65309412	66309412
Urbaline 1x2 modules	3000	22	715	2000	90,9	65019312	66019312	65319312	66319312
Urbaline 1x2 modules	4000	22	715	2050	93,2	65019412	66019412	65319412	66319412
Urbaline 1x3 modules	3000	32	995	3000	93,8	65029312	66029312	65329312	66329312
Urbaline 1x3 modules	4000	32	995	3100	96,9	65029412	66029412	65329412	66329412
Urbaline 1x4 modules	3000	44	1275	4000	90,9	65039312	66039312	65339312	66339312
Urbaline 1x4 modules	4000	44	1275	4150	94,3	65039412	66039412	65339412	66339412
Urbaline 2x1 module	3000	18	435	1750	97,2	65049312	66049312	65349312	66349312
Urbaline 2x1 module	4000	18	435	1800	100	65049412	66049412	65349412	66349412
Urbaline 2x2 modules	3000	44	715	4000	90,9	65059312	66059312	65359312	66359312
Urbaline 2x2 modules	4000	44	715	4150	94,3	65059412	66059412	65359412	66359412
Urbaline 2x3 modules	3000	63	995	6000	95,2	65069312	66069312	65369312	66369312
Urbaline 2x3 modules	4000	63	995	6250	99,2	65069412	66069412	65369412	66369412
Urbaline 2x4 modules	3000	71	1275	6950	97,9	65079312	66079312	65379312	66379312
Urbaline 2x4 modules	4000	71	1275	7250	102,1	65079412	66079412	65379412	66379412

LED with Pro detection + extinction warning									
technical specifications and conditions of use for detection : www.securlite.com (NOT0410)									
Designation	CCT (K)	Power (W)	Length L (mm)	Luminaire light output (lm)	Luminaire efficacy (lm/W)	SURFACE mounting 50J	ANGLE mounting 50J	SURFACE mounting 150J	ANGLE mounting 150J
Urbaline 1x1 module	3000	12	435	850	70,8	65009314	66009314	65309314	66309314
Urbaline 1x1 module	4000	12	435	900	75	65009414	66009414	65309414	66309414
Urbaline 1x2 modules	3000	22	715	2000	90,9	65019314	66019314	65319314	66319314
Urbaline 1x2 modules	4000	22	715	2050	93,2	65019414	66019414	65319414	66319414
Urbaline 1x3 modules	3000	32	995	3000	93,8	65029314	66029314	65329314	66329314
Urbaline 1x3 modules	4000	32	995	3100	96,9	65029414	66029414	65329414	66329414
Urbaline 1x4 modules	3000	44	1275	4000	90,9	65039314	66039314	65339314	66339314
Urbaline 1x4 modules	4000	44	1275	4150	94,3	65039414	66039414	65339414	66339414
Urbaline 2x1 module	3000	18	435	1750	97,2	65049314	66049314	65349314	66349314
Urbaline 2x1 module	4000	18	435	1800	100	65049414	66049414	65349414	66349414
Urbaline 2x2 modules	3000	44	715	4000	90,9	65059314	66059314	65359314	66359314
Urbaline 2x2 modules	4000	44	715	4150	94,3	65059414	66059414	65359414	66359414
Urbaline 2x3 modules	3000	63	995	6000	95,2	65069314	66069314	65369314	66369314
Urbaline 2x3 modules	4000	63	995	6250	99,2	65069414	66069414	65369414	66369414
Urbaline 2x4 modules	3000	71	1275	6950	97,9	65079314	66079314	65379314	66379314
Urbaline 2x4 modules	4000	71	1275	7250	102,1	65079414	66079414	65379414	66379414

Technical and dimensional data are given for information only and may be modified at any time without notice. Please enquire before ordering.

05/01/2024

Technical data and order codes

LED with Pro detection + standby warning technical specifications and conditions of use for detection : www.securlite.com (NOT0410)									
Designation	CCT (K)	Power (W)	Length L (mm)	Luminaire light output (lm)	Luminaire efficacy (lm/W)	SURFACE mounting 50J	ANGLE mounting 50J	SURFACE mounting 150J	ANGLE mounting 150J
Urbaline 1x1 module	3000	12	435	850	70,8	65009315	66009315	65309315	66309315
Urbaline 1x1 module	4000	12	435	900	75	65009415	66009415	65309415	66309415
Urbaline 1x2 modules	3000	22	715	2000	90,9	65019315	66019315	65319315	66319315
Urbaline 1x2 modules	4000	22	715	2050	93,2	65019415	66019415	65319415	66319415
Urbaline 1x3 modules	3000	32	995	3000	93,8	65029315	66029315	65329315	66329315
Urbaline 1x3 modules	4000	32	995	3100	96,9	65029415	66029415	65329415	66329415
Urbaline 1x4 modules	3000	44	1275	4000	90,9	65039315	66039315	65339315	66339315
Urbaline 1x4 modules	4000	44	1275	4150	94,3	65039415	66039415	65339415	66339415
Urbaline 2x1 module	3000	18	435	1750	97,2	65049315	66049315	65349315	66349315
Urbaline 2x1 module	4000	18	435	1800	100	65049415	66049415	65349415	66349415
Urbaline 2x2 modules	3000	44	715	4000	90,9	65059315	66059315	65359315	66359315
Urbaline 2x2 modules	4000	44	715	4150	94,3	65059415	66059415	65359415	66359415
Urbaline 2x3 modules	3000	63	995	6000	95,2	65069315	66069315	65369315	66369315
Urbaline 2x3 modules	4000	63	995	6250	99,2	65069415	66069415	65369415	66369415
Urbaline 2x4 modules	3000	71	1275	6950	97,9	65079315	66079315	65379315	66379315
Urbaline 2x4 modules	4000	71	1275	7250	102,1	65079415	66079415	65379415	66379415

LED with Pro detection + radio-control technical specifications and conditions of use for detection : www.securlite.com (NOT0420)									
Designation	CCT (K)	Power (W)	Length L (mm)	Luminaire light output (lm)	Luminaire efficacy (lm/W)	SURFACE mounting 50J	ANGLE mounting 50J	SURFACE mounting 150J	ANGLE mounting 150J
Urbaline 1x1 module	3000	12	435	850	70,8	65009316	66009316	65309316	66309316
Urbaline 1x1 module	4000	12	435	900	75	65009416	66009416	65309416	66309416
Urbaline 1x2 modules	3000	22	715	2000	90,9	65019316	66019316	65319316	66319316
Urbaline 1x2 modules	4000	22	715	2050	93,2	65019416	66019416	65319416	66319416
Urbaline 1x3 modules	3000	32	995	3000	93,8	65029316	66029316	65329316	66329316
Urbaline 1x3 modules	4000	32	995	3100	96,9	65029416	66029416	65329416	66329416
Urbaline 1x4 modules	3000	44	1275	4000	90,9	65039316	66039316	65339316	66339316
Urbaline 1x4 modules	4000	44	1275	4150	94,3	65039416	66039416	65339416	66339416
Urbaline 2x1 module	3000	18	435	1750	97,2	65049316	66049316	65349316	66349316
Urbaline 2x1 module	4000	18	435	1800	100	65049416	66049416	65349416	66349416
Urbaline 2x2 modules	3000	44	715	4000	90,9	65059316	66059316	65359316	66359316
Urbaline 2x2 modules	4000	44	715	4150	94,3	65059416	66059416	65359416	66359416
Urbaline 2x3 modules	3000	63	995	6000	95,2	65069316	66069316	65369316	66369316
Urbaline 2x3 modules	4000	63	995	6250	99,2	65069416	66069416	65369416	66369416
Urbaline 2x4 modules	3000	71	1275	6950	97,9	65079316	66079316	65379316	66379316
Urbaline 2x4 modules	4000	71	1275	7250	102,1	65079416	66079416	65379416	66379416

LED slave version + extinction warning technical specifications and conditions of use for dali : www.securlite.com (NOT0880)									
Designation	CCT (K)	Power (W)	Length L (mm)	Luminaire light output (lm)	Luminaire efficacy (lm/W)	SURFACE mounting 50J	ANGLE mounting 50J	SURFACE mounting 150J	ANGLE mounting 150J
Urbaline 1x1 module	3000	12	435	850	70,8	65009304	66009304	65309304	66309304
Urbaline 1x1 module	4000	12	435	900	75	65009404	66009404	65309404	66309404
Urbaline 1x2 modules	3000	22	715	2000	90,9	65019304	66019304	65319304	66319304
Urbaline 1x2 modules	4000	22	715	2050	93,2	65019404	66019404	65319404	66319404
Urbaline 1x3 modules	3000	32	995	3000	93,8	65029304	66029304	65329304	66329304
Urbaline 1x3 modules	4000	32	995	3100	96,9	65029404	66029404	65329404	66329404
Urbaline 1x4 modules	3000	44	1275	4000	90,9	65039304	66039404	65339304	66339304
Urbaline 1x4 modules	4000	44	1275	4150	94,3	65039404	66039404	65339404	66339404
Urbaline 2x1 module	3000	18	435	1750	97,2	65049304	66049304	65349304	66349304
Urbaline 2x1 module	4000	18	435	1800	100	65049404	66049404	65349404	66349404
Urbaline 2x2 modules	3000	44	715	4000	90,9	65059304	66059304	65359304	66359304
Urbaline 2x2 modules	4000	44	715	4150	94,3	65059404	66059404	65359404	66359404
Urbaline 2x3 modules	3000	63	995	6000	95,2	65069304	66069304	65369304	66369304
Urbaline 2x3 modules	4000	63	995	6250	99,2	65069404	66069404	65369404	66369404
Urbaline 2x4 modules	3000	71	1275	6950	97,9	65079304	66079304	65379304	66379304
Urbaline 2x4 modules	4000	71	1275	7250	102,1	65079404	66079404	65379404	66379404

Technical and dimensional data are given for information only and may be modified at any time without notice. Please enquire before ordering.

05/01/2024

Technical data and order codes

LED slave version + stand-by warning
technical specifications and conditions of use for dali : www.securlite.com (NOT0880)

Designation	CCT (K)	Power (W)	Length L (mm)	Luminaire light output (lm)	Luminaire efficacy (lm/W)	SURFACE mounting 50J	ANGLE mounting 50J	SURFACE mounting 150J	ANGLE mounting 150J
Urbaline 1x1 module	3000	12	435	850	70,8	65009305	66009305	65309305	66309305
Urbaline 1x1 module	4000	12	435	900	75	65009405	66009405	65309405	66309405
Urbaline 1x2 modules	3000	22	715	2000	90,9	65019305	66019305	65319305	66319305
Urbaline 1x2 modules	4000	22	715	2050	93,2	65019405	66019405	65319405	66319405
Urbaline 1x3 modules	3000	32	995	3000	93,8	65029305	66029305	65329305	66329305
Urbaline 1x3 modules	4000	32	995	3100	96,9	65029405	66029405	65329405	66329405
Urbaline 1x4 modules	3000	44	1275	4000	90,9	65039305	66039305	65339305	66339305
Urbaline 1x4 modules	4000	44	1275	4150	94,3	65039405	66039405	65339405	66339405
Urbaline 2x1 module	3000	18	435	1750	97,2	65049305	66049305	65349305	66349305
Urbaline 2x1 module	4000	18	435	1800	100	65049405	66049405	65349405	66349405
Urbaline 2x2 modules	3000	44	715	4000	90,9	65059305	66059305	65359305	66359305
Urbaline 2x2 modules	4000	44	715	4150	94,3	65059405	66059405	65359405	66359405
Urbaline 2x3 modules	3000	63	995	6000	95,2	65069305	66069305	65369305	66369305
Urbaline 2x3 modules	4000	63	995	6250	99,2	65069405	66069405	65369405	66369405
Urbaline 2x4 modules	3000	71	1275	6950	97,9	65079305	66079305	65379305	66379305
Urbaline 2x4 modules	4000	71	1275	7250	102,1	65079405	66079405	65379405	66379405

LED DALI dimmable + switch dimming
technical specifications and conditions of use for dali : www.securlite.com (NOT0880)

Designation	CCT (K)	Power (W)	Length L (mm)	Luminaire light output (lm)	Luminaire efficacy (lm/W)	SURFACE mounting 50J	ANGLE mounting 50J	SURFACE mounting 150J	ANGLE mounting 150J
Urbaline 1x1 module	3000	12	370	850	70,8	65009321	66009321	65309321	66309321
Urbaline 1x1 module	4000	12	370	900	75	65009421	66009421	65309421	66309421
Urbaline 1x2 modules	3000	22	650	2000	90,9	65019321	66019321	65319321	66319321
Urbaline 1x2 modules	4000	22	650	2050	93,2	65019421	66019421	65319421	66319421
Urbaline 1x3 modules	3000	32	930	3000	93,8	65029321	66029321	65329321	66329321
Urbaline 1x3 modules	4000	32	930	3100	96,9	65029421	66029421	65329421	66329421
Urbaline 1x4 modules	3000	44	1210	4000	90,9	65039321	66039321	65339321	66339321
Urbaline 1x4 modules	4000	44	1210	4150	94,3	65039421	66039421	65339421	66339421
Urbaline 2x1 module	3000	18	370	1750	97,2	65049321	66049321	65349321	66349321
Urbaline 2x1 module	4000	18	370	1800	100	65049421	66049421	65349421	66349421
Urbaline 2x2 modules	3000	44	650	4000	90,9	65059321	66059321	65359321	66359321
Urbaline 2x2 modules	4000	44	650	4150	94,3	65059421	66059421	65359421	66359421
Urbaline 2x3 modules	3000	63	930	6000	95,2	65069321	66069321	65369321	66369321
Urbaline 2x3 modules	4000	63	930	6250	99,2	65069421	66069421	65369421	66369421
Urbaline 2x4 modules	3000	71	1210	6950	97,9	65079321	66079321	65379321	66379321
Urbaline 2x4 modules	4000	71	1210	7250	102,1	65079421	66079421	65379421	66379421

Operating instruction : www.securlite.com (NOT0655)