

Features

- Input voltage: 220–240 V AC, 50/60 Hz
- Input voltage range: 198–264 V AC
- Electrical protection class 1
- IP: 66
- IK: 11++ / 120 joules
- Incandescent wire test 850° / 30 s
- Rated ambient operating temperature: 25 °C
- Operating temperature range : -20 °C ... +35 °C
- Anti-rip-out skirt, 4 internal fixing points
- VK65 surface mounted, VK66 ceiling mounted, VK66 flush mounted
- CRI: 80
- SDCM (Standard Deviation Colour Matching): 3
- Photobiological hazard: RG0
- Energy class C light source
- Lumen maintenance: L80B10 / 72,000 hours
- Number of detector switching cycles: 1,000,000 at maximum load.
- Repairable luminaire. Spare parts available on demand
- 5-year guarantee, details of conditions available on securlite.com

Applications

- Decorative luminaire for indoor, outdoor, subject to moderate and severe vandalism
- Conditions of use:
 - Models with detection: suitable for indoor use
 - Installation positions: refer to installation instructions

Materials

- Marine-grade die-cast aluminium base
- Diffuser: opal polycarbonate
- Flush-mounting surround (option): steel treated by electrophoresis, paint finish to match base
- RoHS: the products contain no prohibited substances as defined in the European Directive 2011/65/UE and amendments

Colours / Finish

- Colour: matt black RAL 9005, grey aluminium RAL 9006, matt white RAL 9016
- Abrasion-resistant polyester paint finish, withstands chemical elements and pollutants

Wiring

- Supply terminal block: automatic, dual-entry, for 1.5 mm² conductors
- 2 × 20.5 mm Ø cable entry for cable gland

Technical and dimensional data are given for information only and may be modified at any time without notice. Please enquire before ordering.

05/01/2024

Fixings

- Diffuser: retained by 3 × M5 stainless 2-point tamper-proof screws with sealing washers

Facilities available

- Standard screws (VK54): add the suffix **9702** to the product code – example: 252xxxxx **9702**
- Flush-mounting version: add the suffix **9802** to the product code – example: 252xxxxx **9802**
- 3W stand-by LED (on request): add the suffix **9301** to the product code – example: 252xxxxx **9301**

Tools

(to be ordered separately)

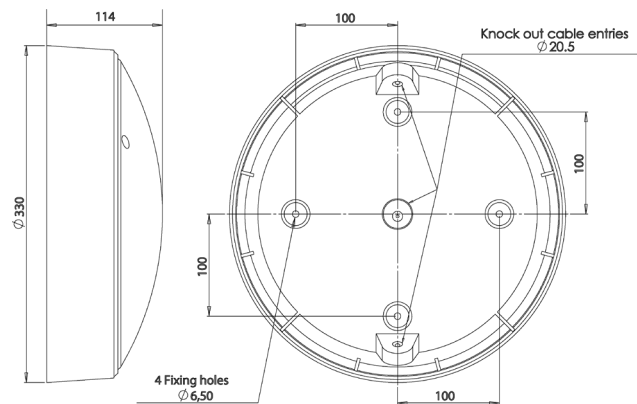
- M5 bit for 2-point tamper-proof screws – code: **98000003**
- Remote control (radio-control version) – code: **98000010**
- M5 bit-holder screwdriver – code: **98000005**

Approvals

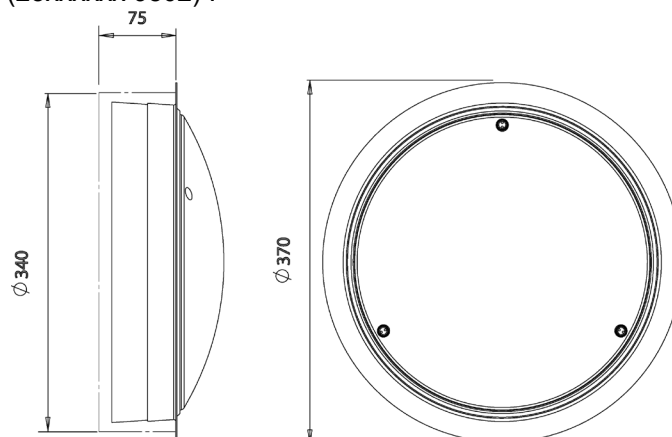
Certificates available:

- CE certificate (as per EN60598-1 / 2-1 / 2-2)
- Incandescent Wire Test certificate (depending on product)

Dimensions



Flush-mounting version (25xxxxxx 9802) :



Technical and dimensional data are given for information only and may be modified at any time without notice. Please enquire before ordering.

05/01/2024

Technical data and order codes

| RONDO LED | | | | | | | | | |
|----------------|---------|-----------|-----------------------|-----------------------|---------------------------|----------|----------|----------|-------------|
| Designation | CCT (K) | Power (W) | Power in stand-by (W) | Luminaire output (lm) | Luminaire efficacy (lm/W) | White | Grey | Black | Weight (kg) |
| Rondo LED 1800 | 3000 | 12 | - | 1500 | 125 | 25200300 | 25201300 | 25202300 | 3,8 |
| Rondo LED 1800 | 4000 | 12 | - | 1550 | 129 | 25200400 | 25201400 | 25202400 | 3,8 |
| Rondo LED 2400 | 3000 | 17 | - | 2050 | 121 | 25230300 | 25231300 | 25232300 | 3,8 |
| Rondo LED 2400 | 4000 | 17 | - | 2150 | 126 | 25230400 | 25231400 | 25232400 | 3,8 |
| Rondo LED 3000 | 3000 | 20 | - | 2450 | 123 | 25220300 | 25221300 | 25222300 | 3,8 |
| Rondo LED 3000 | 4000 | 20 | - | 2550 | 128 | 25220400 | 25221400 | 25222400 | 3,8 |

| RONDO LED + Pro detection technical specifications and conditions of use for detection (NOT0410): www.securlite.com (NOT0410) | | | | | | | | | |
|---|---------|-----------|-----------------------|-----------------------|---------------------------|----------|----------|----------|-------------|
| Designation | CCT (K) | Power (W) | Power in stand-by (W) | Luminaire output (lm) | Luminaire efficacy (lm/W) | White | Grey | Black | Weight (kg) |
| Rondo LED 1800 | 3000 | 12 | <0,5 | 1500 | 125 | 25200312 | 25201312 | 25202312 | 4 |
| Rondo LED 1800 | 4000 | 12 | <0,5 | 1550 | 129 | 25200412 | 25201412 | 25202412 | 4 |
| Rondo LED 2400 | 3000 | 18 | <0,5 | 2050 | 114 | 25230312 | 25231312 | 25232312 | 4 |
| Rondo LED 2400 | 4000 | 18 | <0,5 | 2150 | 119 | 25230412 | 25231412 | 25232412 | 4 |
| Rondo LED 3000 | 3000 | 21 | <0,5 | 2450 | 117 | 25220312 | 25221312 | 25222312 | 4 |
| Rondo LED 3000 | 4000 | 21 | <0,5 | 2550 | 121 | 25220412 | 25221412 | 25222412 | 4 |

| RONDO LED with Pro detection + extinction or standby warning technical specifications and conditions of use for detection (NOT0425): www.securlite.com (NOT0425) | | | | | | | | | |
|--|---------|-----------|-----------------------|-----------------------|---------------------------|----------|----------|----------|-------------|
| Designation | CCT (K) | Power (W) | Power in stand-by (W) | Luminaire output (lm) | Luminaire efficacy (lm/W) | White | Grey | Black | Weight (kg) |
| Rondo LED 1800 | 3000 | 13 | <0,5 | 1500 | 115 | 25200313 | 25201313 | 25202313 | 4 |
| Rondo LED 1800 | 4000 | 13 | <0,5 | 1550 | 119 | 25200413 | 25201413 | 25202413 | 4 |
| Rondo LED 2400 | 3000 | 18 | <0,5 | 2050 | 114 | 25230313 | 25231313 | 25232313 | 4 |
| Rondo LED 2400 | 4000 | 18 | <0,5 | 2150 | 119 | 25230413 | 25231413 | 25232413 | 4 |
| Rondo LED 3000 | 3000 | 21 | <0,5 | 2450 | 117 | 25220313 | 25221313 | 25222313 | 4 |
| Rondo LED 3000 | 4000 | 21 | <0,5 | 2550 | 121 | 25220413 | 25221413 | 25222413 | 4 |

| RONDO LED slave version + extinction or stand-by warning technical specifications and conditions of use for detection (NOT0435): www.securlite.com (NOT0435) | | | | | | | | | |
|--|---------|-----------|-----------------------|-----------------------|---------------------------|----------|----------|----------|-------------|
| Designation | CCT (K) | Power (W) | Power in stand-by (W) | Luminaire output (lm) | Luminaire efficacy (lm/W) | White | Grey | Black | Weight (kg) |
| Rondo LED 1800 | 3000 | 13 | <0,5 | 1500 | 115 | 25200303 | 25201303 | 25202303 | 4 |
| Rondo LED 1800 | 4000 | 13 | <0,5 | 1550 | 119 | 25200403 | 25201403 | 25202403 | 4 |
| Rondo LED 2400 | 3000 | 18 | <0,5 | 2050 | 114 | 25230303 | 25231303 | 25232303 | 4 |
| Rondo LED 2400 | 4000 | 18 | <0,5 | 2150 | 119 | 25230403 | 25231403 | 25232403 | 4 |
| Rondo LED 3000 | 3000 | 21 | <0,5 | 2450 | 117 | 25220303 | 25221303 | 25222303 | 4 |
| Rondo LED 3000 | 4000 | 21 | <0,5 | 2550 | 121 | 25220403 | 25221403 | 25222403 | 4 |

| RONDO LED with Pro detection + radio-control technical specifications and conditions of use for detection (NOT0420): www.securlite.com (NOT0420) | | | | | | | | | |
|--|---------|-----------|-----------------------|-----------------------|---------------------------|----------|----------|----------|-------------|
| Designation | CCT (K) | Power (W) | Power in stand-by (W) | Luminaire output (lm) | Luminaire efficacy (lm/W) | White | Grey | Black | Weight (kg) |
| Rondo LED 1800 | 3000 | 12 | 0,5 | 1500 | 125 | 25200316 | 25201316 | 25202316 | 4 |
| Rondo LED 1800 | 4000 | 12 | 0,5 | 1550 | 129 | 25200416 | 25201416 | 25202416 | 4 |
| Rondo LED 2400 | 3000 | 18 | 0,5 | 2050 | 114 | 25230316 | 25231316 | 25232316 | 4 |
| Rondo LED 2400 | 4000 | 18 | 0,5 | 2150 | 119 | 25230416 | 25231416 | 25232416 | 4 |
| Rondo LED 3000 | 3000 | 21 | 0,5 | 2450 | 117 | 25220316 | 25221316 | 25222316 | 4 |
| Rondo LED 3000 | 4000 | 21 | 0,5 | 2550 | 121 | 25220416 | 25221416 | 25222416 | 4 |

Technical and dimensional data are given for information only and may be modified at any time without notice. Please enquire before ordering.

05/01/2024

Technical data and order codes

| RONDO LED with Pro detection + extinction or standby warning + radio-control <i>technical specifications and conditions of use for detection (NOT0430): www.securlite.com (NOT0430)</i> | | | | | | | | | |
|--|---------|-----------|-----------------------|-----------------------|---------------------------|----------|----------|----------|-------------|
| Designation | CCT (K) | Power (W) | Power in stand-by (W) | Luminaire output (lm) | Luminaire efficacy (lm/W) | White | Grey | Black | Weight (kg) |
| Rondo LED 1800 | 3000 | 13 | 0,5 | 1500 | 115 | 25200317 | 25201317 | 25202317 | 4 |
| Rondo LED 1800 | 4000 | 13 | 0,5 | 1550 | 119 | 25200417 | 25201417 | 25202417 | 4 |
| Rondo LED 2400 | 3000 | 18 | 0,5 | 2050 | 114 | 25230317 | 25231317 | 25232317 | 4 |
| Rondo LED 2400 | 4000 | 18 | 0,5 | 2150 | 119 | 25230417 | 25231417 | 25232417 | 4 |
| Rondo LED 3000 | 3000 | 21 | 0,5 | 2450 | 117 | 25220317 | 25221317 | 25222317 | 4 |
| Rondo LED 3000 | 4000 | 21 | 0,5 | 2550 | 121 | 25220417 | 25221417 | 25222417 | 4 |

| RONDO LED slave version + extinction or stand-by warning + radio-control <i>technical specifications and conditions of use for detection (NOT0440): www.securlite.com (NOT0440)</i> | | | | | | | | | |
|--|---------|-----------|-----------------------|-----------------------|---------------------------|----------|----------|----------|-------------|
| Designation | CCT (K) | Power (W) | Power in stand-by (W) | Luminaire output (lm) | Luminaire efficacy (lm/W) | White | Grey | Black | Weight (kg) |
| Rondo LED 1800 | 3000 | 13 | 0,5 | 1500 | 115 | 25200307 | 25201307 | 25202307 | 4 |
| Rondo LED 1800 | 4000 | 13 | 0,5 | 1550 | 119 | 25200407 | 25201407 | 25202407 | 4 |
| Rondo LED 2400 | 3000 | 18 | 0,5 | 2050 | 114 | 25230307 | 25231307 | 25232307 | 4 |
| Rondo LED 2400 | 4000 | 18 | 0,5 | 2150 | 119 | 25230407 | 25231407 | 25232407 | 4 |
| Rondo LED 3000 | 3000 | 21 | 0,5 | 2450 | 117 | 25220307 | 25221307 | 25222307 | 4 |
| Rondo LED 3000 | 4000 | 21 | 0,5 | 2550 | 121 | 25220407 | 25221407 | 25222407 | 4 |

| RONDO LED + DALI dimmable + switch dimming | | | | | | | | | |
|---|---------|-----------|-----------------------|-----------------------|---------------------------|----------|----------|----------|-------------|
| Designation | CCT (K) | Power (W) | Power in stand-by (W) | Luminaire output (lm) | Luminaire efficacy (lm/W) | White | Grey | Black | Weight (kg) |
| Rondo LED 1800 | 3000 | 12 | <0,5 | 1500 | 125 | 25200321 | 25201321 | 25202321 | 4 |
| Rondo LED 1800 | 4000 | 12 | <0,5 | 1550 | 129 | 25200421 | 25201421 | 25202421 | 4 |
| Rondo LED 2400 | 3000 | 18 | <0,5 | 2050 | 114 | 25230321 | 25231321 | 25232321 | 4 |
| Rondo LED 2400 | 4000 | 18 | <0,5 | 2150 | 119 | 25230421 | 25231421 | 25232421 | 4 |
| Rondo LED 3000 | 3000 | 21 | <0,5 | 2450 | 117 | 25220321 | 25221321 | 25222321 | 4 |
| Rondo LED 3000 | 4000 | 21 | <0,5 | 2550 | 121 | 25220421 | 25221421 | 25222421 | 4 |

- Operating instruction : www.securlite.com (NOT0545)