



## SENSPOT (standard and vandal-resistant)

*Without detection version*

### Features

- Nominal voltage : 220-240V AC, 50/60 Hz
- Input voltage range : 198-264V AC
- Protection class : II
- IP44 (with IP20 remote power supply) or IP65 (depending on version)
- IK10 / 20 joules (standard version)
- VK21 as ceiling fitting (standard version)
- IK11 / 50 joules (vandal-resistant version)
- VK32 as ceiling fitting (vandal-resistant version)
- Incandescent wire 850° / 30 s
- Rated ambient operating temperature : 25° C
- Operating temperature range : -20 °C ... +35 °C
- IRC : 80
- SDCM : 3
- Photobiological hazard : RG0
- Energy class C light source
- Lumen maintenance : L80B10 / supérieur à 72 000 h
- Repairable luminaire. Spare parts available on demand
- 5-year guarantee, details of conditions available on [securlite.com](http://securlite.com)

### Applications

- Architectural luminaire for indoor (IP44) or outdoor (IP65) environments subject to only minor vandalism
- Installation positions: refer to installation instructions

### Materials

- Bezel and body: painted zamak (marine environment resistant)
- Diffuser: clear polycarbonate
- Reflector: white polycarbonate
- Remote power supply within suspended ceiling, with 30 cm cable
- RoHS: the products contain no prohibited substances as defined in the European Directive 2011/65/UE and amendments

### Colours / Finish

- Standard bezel colour : white RAL9016 polyester paint (other ring colours on request)

### Fixings

- Luminaire: using 4 TORX type screws, not visible from the front
- Vandal-resistant version: luminaire fixed using 2 steel TORX type screws on the front

### Accessories *(To be ordered separately)*

- M5 bit for security Torx screws – **code: 98000012** (vandal-resistant version)
- Bit-holder M5 – **code: 98000005**
- Square adaptor kit for replacing old Sécurlite downlight with a Senspot – **code: 98403003**
- Round adaptor kit for replacing old Sécurlite downlight with a Senspot – **code: 98403004**
- Back box for use in concrete - Senspot IP44 – **code: 98403002**
- Back box for use in concrete - Senspot IP65 – **code: 98403001**

Technical and dimensional data are given for information only and may be modified at any time without notice. Please enquire before ordering.

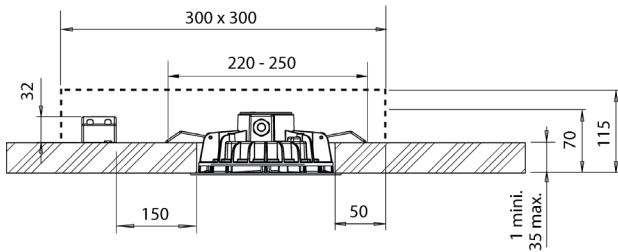
## Approvals

Certificates available:

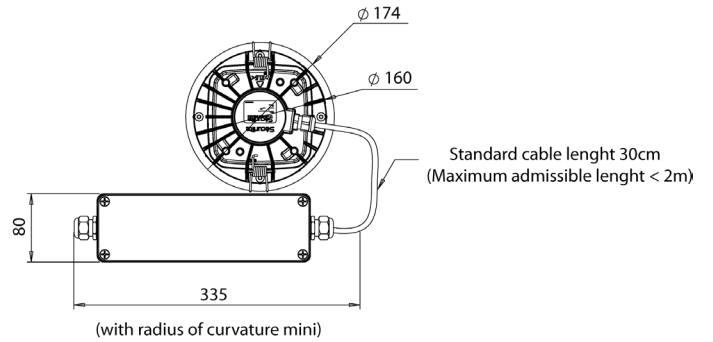
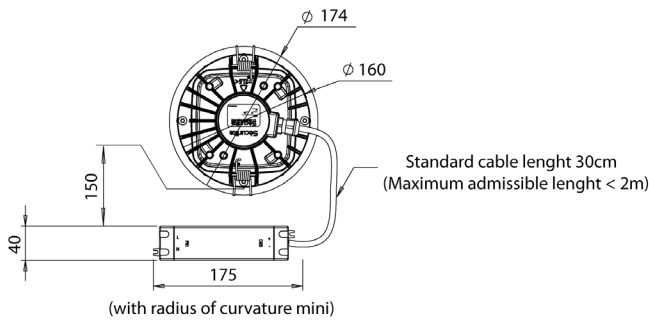
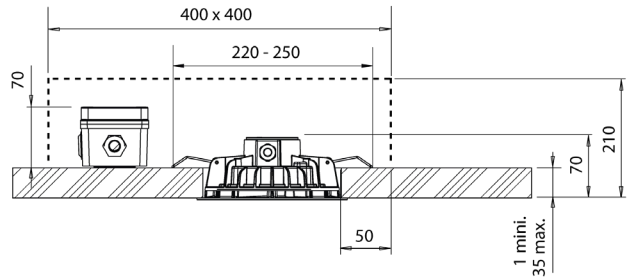
- CE certificate (as per EN60598-1 / 2-2)
- Incandescent Wire Test certificate (depending on product)

## Dimensions

**IP44**  
(Power supply IP20)



**IP65**

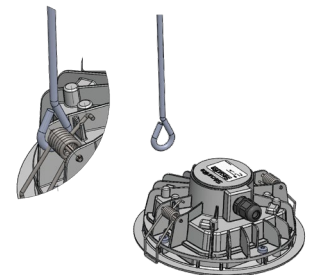
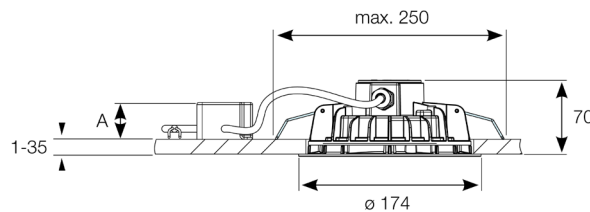


## Fixings

- Luminaire fixed by pressure spring or by stainless screws on the front (vandal-resistant version)



IP44 A : 33 mm  
IP65 A : 70 mm



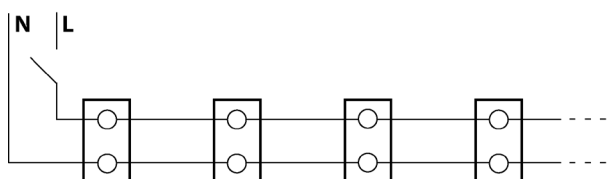
Technical and dimensional data are given for information only and may be modified at any time without notice. Please enquire before ordering.

## Wiring

- IP44 version: Connection to the remote power supply
- IP65 version: Connection to remote power supply within sealed connection box with cable gland

### 00 without sensor version wiring

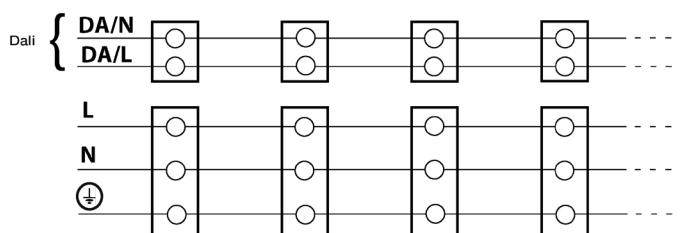
(external command by switch, timer, external sensor)



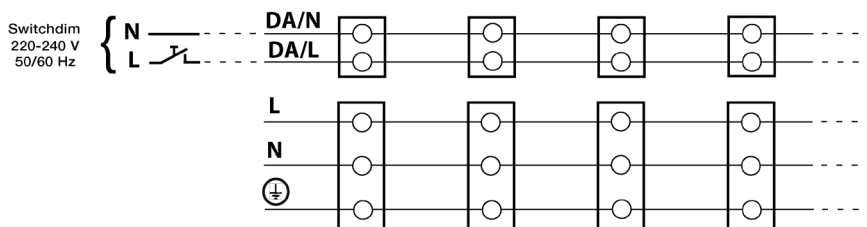
For operation on a timer (electronic type) check the compatibility between the minimum load of the timer and the installed load/power.

### 21 Dali / Switchdim version wiring

#### Dali version :



#### Switchdim version :



## Technical data and order codes

### Standard version:

ON/OFF mode via external command from switch, timer, or external detector, with no adjustment – excluding daisy-chaining

SENSPOT IP44								
Designation	CCT (K)	Power (W)	Luminaire Output (lm)	Luminaire efficacy (lm/W)	Weight (Kg)	White	Grey	Black
Senspot 1700	3000	12	1247	103,9	1,6	40350300	40353300	40352300
Senspot 1700	4000	12	1300	108,3	1,6	40350400	40353400	40352400
Senspot 2200	3000	16	1564	97,8	1,6	40360300	40363300	40362300
Senspot 2200	4000	16	1630	101,9	1,6	40360400	40363400	40362400

SENSPOT IP65								
Designation	CCT (K)	Power (W)	Luminaire Output (lm)	Luminaire efficacy (lm/W)	Weight (Kg)	White	Grey	Black
Senspot 1700	3000	12	1247	103,9	2,15	40300300	40303300	40302300
Senspot 1700	4000	12	1300	108,3	2,15	40300400	40303400	40302400
Senspot 2200	3000	16	1564	97,8	2,15	40310300	40313300	40312300
Senspot 2200	4000	16	1630	101,9	2,15	40310400	40313400	40312400

SENSPOT IP44 - Dali switch dimming								
technical specifications and conditions of use for dali : <a href="http://www.securlite.com">www.securlite.com</a> (NOT0880)								
Designation	CCT (K)	Power (W)	Luminaire Output (lm)	Luminaire efficacy (lm/W)	Weight (Kg)	White	Grey	Black
Senspot 1700	3000	12	1247	103,9	1,6	40350321	40353321	40352321
Senspot 1700	4000	12	1300	108,3	1,6	40350421	40353421	40352421
Senspot 2200	3000	16	1564	97,8	1,6	40360321	40363321	40362321
Senspot 2200	4000	16	1630	101,9	1,6	40360421	40363421	40362421

SENSPOT IP65 - Dali switch dimming								
technical specifications and conditions of use for dali : <a href="http://www.securlite.com">www.securlite.com</a> (NOT0880)								
Designation	CCT (K)	Power (W)	Luminaire Output (lm)	Luminaire efficacy (lm/W)	Weight (Kg)	White	Grey	Black
Senspot 1700	3000	12	1247	103,9	2,15	40300321	40303321	40302321
Senspot 1700	4000	12	1300	108,3	2,15	40300421	40303421	40302421
Senspot 2200	3000	16	1564	97,8	2,15	40310321	40313321	40312321
Senspot 2200	4000	16	1630	101,9	2,15	40310421	40313421	40312421

Operating instruction : [www.securlite.com](http://www.securlite.com) (NOT0735)

## Technical data and order codes

### Vandal-resistant version :

ON/OFF mode via external command from switch, timer, or external detector, with no adjustment – excluding daisy-chaining

SENSPOT IP44								
Designation	CCT (K)	Power (W)	Luminaire Output (lm)	Luminaire efficacy (lm/W)	Weight (Kg)	White	Grey	Black
Senspot 1700	3000	12	1247	103,9	1,6	40450300	40453300	40452300
Senspot 1700	4000	12	1300	108,3	1,6	40450400	40453400	40452400
Senspot 2200	3000	16	1564	97,8	1,6	40460300	40463300	40462300
Senspot 2200	4000	16	1630	101,9	1,6	40460400	40463400	40462400

SENSPOT IP65								
Designation	CCT (K)	Power (W)	Luminaire Output (lm)	Luminaire efficacy (lm/W)	Weight (Kg)	White	Grey	Black
Senspot 1700	3000	12	1247	103,9	2,15	40400300	40403300	40402300
Senspot 1700	4000	12	1300	108,3	2,15	40400400	40403400	40402400
Senspot 2200	3000	16	1564	97,8	2,15	40410300	40413300	40412300
Senspot 2200	4000	16	1630	101,9	2,15	40410400	40413400	40412400

SENSPOT IP44 - Dali switch dimming								
technical specifications and conditions of use for dali : <a href="http://www.securlite.com">www.securlite.com</a> (NOT0880)								
Designation	CCT (K)	Power (W)	Luminaire Output (lm)	Luminaire efficacy (lm/W)	Weight (Kg)	White	Grey	Black
Senspot 1700	3000	12	1247	103,9	1,6	40450321	40453321	40452321
Senspot 1700	4000	12	1300	108,3	1,6	40450421	40453421	40452421
Senspot 2200	3000	16	1564	97,8	1,6	40460321	40463321	40462321
Senspot 2200	4000	16	1630	101,9	1,6	40460421	40463421	40462421

SENSPOT IP65 - Dali switch dimming								
technical specifications and conditions of use for dali : <a href="http://www.securlite.com">www.securlite.com</a> (NOT0880)								
Designation	CCT (K)	Power (W)	Luminaire Output (lm)	Luminaire efficacy (lm/W)	Weight (Kg)	White	Grey	Black
Senspot 1700	3000	12	1247	103,9	2,15	40400321	40403321	40402321
Senspot 1700	4000	12	1300	108,3	2,15	40400421	40403421	40402421
Senspot 2200	3000	16	1564	97,8	2,15	40410321	40413321	40412321
Senspot 2200	4000	16	1630	101,9	2,15	40410421	40413421	40412421

Operating instruction : [www.securlite.com](http://www.securlite.com) (NOT0735)