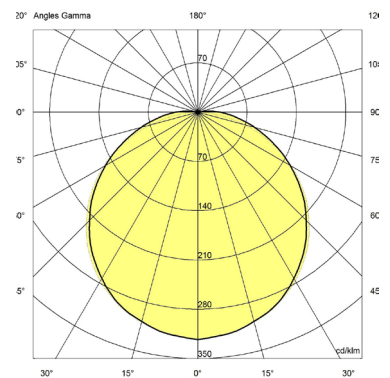




TITAN E STAINLESS

Features

- Input voltage: 220–240 V AC, 50/60 Hz
- Input voltage range: 198–264 V AC
- Electrical protection class 1
- IP: 65
- IK: 11++ / 120 joules
- Incandescent wire test 850 °C / 30 s
- Rated ambient operating temperature: 25 °C
- Operating temperature range : -20 °C ... +35 °C
- VK66 flush mounted
- CRI: 80
- SDCM (Standard Deviation Colour Matching): 3
- Photobiological hazard: RG0
- Energy class C light source
- Lumen maintenance: L80B10 / over 72,000 hours
- Lumen maintenance: L90B50 / 52,000 hours
- Number of detector switching cycles: 1,000,000 at maximum load.
- Repairable luminaire. Spare parts available on demand
- 5-year guarantee, details of conditions available on securlite.com



Applications

- Stainless version: 316L brushed stainless for severe corrosive environments (seaside), indoor and outdoor
- Stainless version: 314L painted stainless for indoor or outdoor environment
- Conditions of use:
 - Models with detection: suitable for indoor use
 - Installation positions: refer to installation instructions

Materials

- Brushed 316L stainless steel frame and base or 304L painted stainless steel
- Opal polycarbonate diffuser
- RoHS: the products contain no prohibited substances as defined in the European Directive 2011/65/UE and amendments

Colours / Finish

- 316L brushed stainless
- 304L painted stainless: graphite grey RAL7016SG, abrasion-resistant polyester paint finish, withstands polluting chemical elements

Technical and dimensional data are given for information only and may be modified at any time without notice. Please enquire before ordering.

05/01/2024

Wiring

- Sliding, plug-in gear tray
- Supply terminal block: automatic, dual-entry, for 3 × 1.5 mm² conductors
- 2 cable entries for M20 cable gland on side panels

Fixings

- Diffuser: retained by M6 stainless steel 2-point tamper-proof screws with sealing washers

Facilities available

- Through wiring: add the suffix **9101** to the product code – example: 6xxxxxxx **9101**
- Night light 3W: add the suffix **9301** to the product code – example: 6xxxxxxx **9301**
- Flat Duroflam® diffuser (IK11+ 80J): add the suffix **9413** to the product code – example: 6xxxxxxx **9413**
- Flat opal diffuser (IK11+ 80J): add the suffix **9415** to the product code – example: 6xxxxxxx **9415**
- Anti-graffiti protection: add the suffix **9601** to the product code – example: 6xxxxxxx **9601**
- Stainless steel crosspoint screws (VK54): add the suffix **9702** to the product code – example: 6xxxxxxx **9702**

Tools

(to be ordered separately)

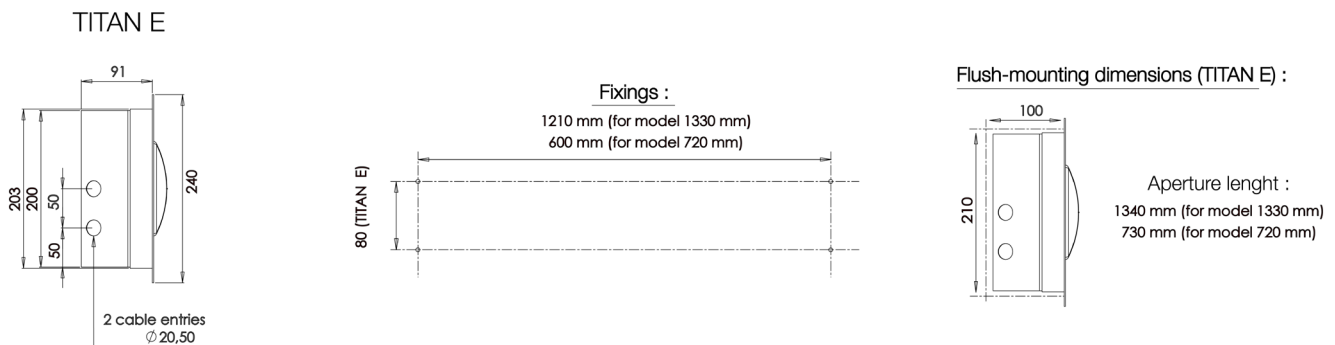
- M6 bit for 2-point tamper-proof screws – code: **98000004**
- Remote control (radio-control version) – code: **98000010**
- Bit-holder screwdriver – code: **98000005**

Approvals

Certificates available:

- CE certificate (as per EN60598-1 / 2-2)
- Incandescent Wire Test certificate (depending on product)

Dimensions



Technical and dimensional data are given for information only and may be modified at any time without notice. Please enquire before ordering.

05/01/2024

Technical data and order codes

TITAN E LED									
Designation	CCT (K)	Power (W)	Power in standby (W)	Luminaire output (lm)	Luminaire efficacy (lm/W)	Aperture length (mm)	Frame length (mm)	Code 316L brushed	Code 304L painted
2 modules LED LLC900	3000	12	-	1000	83,3	730	760	63608300	63701300
2 modules LED LLC900	4000	12	-	1050	87,5	730	760	63608400	63701400
2 modules LED LLC1300	3000	21	-	1930	91,9	730	760	63618300	63711300
2 modules LED LLC1300	4000	21	-	2010	95,7	730	760	63618400	63711400
4 modules LED LLC900	3000	17	-	1750	104,1	730	760	63628300	63721300
4 modules LED LLC900	4000	17	-	1820	108,8	730	760	63628400	63721400
4 modules LED LLC1300	3000	43	-	3910	90,9	730	760	63638300	63731300
4 modules LED LLC1300	4000	43	-	4080	94,9	730	760	63638400	63731400
4 modules LED LLC900	3000	17	-	1770	102,9	1340	1370	63648300	63741300
4 modules LED LLC900	4000	17	-	1850	107,1	1340	1370	63648400	63741400
4 modules LED LLC1300	3000	43	-	3870	90	1340	1370	63658300	63751300
4 modules LED LLC1300	4000	43	-	4030	93,7	1340	1370	63658400	63751400
8 modules LED LLC900	3000	41	-	4080	99,5	1340	1370	63668300	63761300
8 modules LED LLC900	4000	41	-	4250	103,7	1340	1370	63668400	63761400
8 modules LED LLC1300	3000	70	-	6650	95	1340	1370	63678300	63771300
8 modules LED LLC1300	4000	70	-	6930	99	1340	1370	63678400	63771400

TITAN LED + Pro detection									
<i>technical specifications and conditions of use for detection : www.securlite.com (NOT0410)</i>									
Designation	CCT (K)	Power (W)	Power in standby (W)	Luminaire output (lm)	Luminaire efficacy (lm/W)	Aperture length (mm)	Frame length (mm)	Code 316L brushed	Code 304L painted
2 modules LED LLC900	3000	13	<0,5	1000	76,9	730	760	63608312	63701312
2 modules LED LLC900	4000	13	<0,5	1050	80,8	730	760	63608412	63701412
2 modules LED LLC1300	3000	22	<0,5	1930	87,7	730	760	63618312	63711312
2 modules LED LLC1300	4000	22	<0,5	2010	91,4	730	760	63618412	63711412
4 modules LED LLC900	3000	18	<0,5	1750	98,3	730	760	63628312	63721312
4 modules LED LLC900	4000	18	<0,5	1820	102,8	730	760	63628412	63721412
4 modules LED LLC1300	3000	44	<0,5	3910	88,9	730	760	63638312	63731312
4 modules LED LLC1300	4000	44	<0,5	4080	92,7	730	760	63638412	63731412
4 modules LED LLC900	3000	18	<0,5	1770	97,2	1340	1370	63648312	63741312
4 modules LED LLC900	4000	18	<0,5	1850	101,1	1340	1370	63648412	63741412
4 modules LED LLC1300	3000	44	<0,5	3870	87,9	1340	1370	63658312	63751312
4 modules LED LLC1300	4000	44	<0,5	4030	91,6	1340	1370	63658412	63751412
8 modules LED LLC900	3000	42	<0,5	4080	97,1	1340	1370	63668312	63761312
8 modules LED LLC900	4000	42	<0,5	4250	101,2	1340	1370	63668412	63761412
8 modules LED LLC1300	3000	71	<0,5	6650	93,7	1340	1370	63678312	63771312
8 modules LED LLC1300	4000	71	<0,5	6930	97,6	1340	1370	63678412	63771412

TITAN LED with Pro detection + extinction warning									
<i>technical specifications and conditions of use for detection : www.securlite.com (NOT0410)</i>									
Designation	CCT (K)	Power (W)	Power in standby (W)	Luminaire output (lm)	Luminaire efficacy (lm/W)	Aperture length (mm)	Frame length (mm)	Code 316L brushed	Code 304L painted
2 modules LED LLC900	3000	13	<0,5	1000	76,9	730	760	63608314	63701314
2 modules LED LLC900	4000	13	<0,5	1050	80,8	730	760	63608414	63701414
2 modules LED LLC1300	3000	22	<0,5	1930	87,7	730	760	63618314	63711314
2 modules LED LLC1300	4000	22	<0,5	2010	91,4	730	760	63618414	63711414
4 modules LED LLC900	3000	18	<0,5	1750	98,3	730	760	63628314	63721314
4 modules LED LLC900	4000	18	<0,5	1820	102,8	730	760	63628414	63721414
4 modules LED LLC1300	3000	44	<0,5	3910	88,9	730	760	63638314	63731314
4 modules LED LLC1300	4000	44	<0,5	4080	92,7	730	760	63638414	63731414
4 modules LED LLC900	3000	18	<0,5	1770	97,2	1340	1370	63648314	63741314
4 modules LED LLC900	4000	18	<0,5	1850	101,1	1340	1370	63648414	63741414
4 modules LED LLC1300	3000	44	<0,5	3870	87,9	1340	1370	63658314	63751314
4 modules LED LLC1300	4000	44	<0,5	4030	91,6	1340	1370	63658414	63751414
8 modules LED LLC900	3000	42	<0,5	4080	97,1	1340	1370	63668314	63761314
8 modules LED LLC900	4000	42	<0,5	4250	101,2	1340	1370	63668414	63761414
8 modules LED LLC1300	3000	71	<0,5	6650	93,7	1340	1370	63678314	63771314
8 modules LED LLC1300	4000	71	<0,5	6930	97,6	1340	1370	63678414	63771414

Technical and dimensional data are given for information only and may be modified at any time without notice. Please enquire before ordering.

05/01/2024

Technical data and order codes

TITAN LED with Pro detection + standby warning									
technical specifications and conditions of use for detection : www.securlite.com (NOT0410)									
Designation	CCT (K)	Power (W)	Power in standby (W)	Luminaire output (lm)	Luminaire efficacy (lm/W)	Aperture length (mm)	Frame length (mm)	Code 316L brushed	Code 304L painted
2 modules LED LLC900	3000	13	<0,5	1000	76,9	730	760	63608315	63701315
2 modules LED LLC900	4000	13	<0,5	1050	80,8	730	760	63608415	63701415
2 modules LED LLC1300	3000	22	<0,5	1930	87,7	730	760	63618315	63711315
2 modules LED LLC1300	4000	22	<0,5	2010	91,4	730	760	63618415	63711415
4 modules LED LLC900	3000	18	<0,5	1750	98,3	730	760	63628315	63721315
4 modules LED LLC900	4000	18	<0,5	1820	102,8	730	760	63628415	63721415
4 modules LED LLC1300	3000	44	<0,5	3910	88,9	730	760	63638315	63731315
4 modules LED LLC1300	4000	44	<0,5	4080	92,7	730	760	63638415	63731415
4 modules LED LLC900	3000	18	<0,5	1770	97,2	1340	1370	63648315	63741315
4 modules LED LLC900	4000	18	<0,5	1850	101,1	1340	1370	63648515	63741515
4 modules LED LLC1300	3000	44	<0,5	3870	87,9	1340	1370	63658315	63751315
4 modules LED LLC1300	4000	44	<0,5	4030	91,6	1340	1370	63658415	63751415
8 modules LED LLC900	3000	42	<0,5	4080	97,1	1340	1370	63668315	63761315
8 modules LED LLC900	4000	42	<0,5	4250	101,2	1340	1370	63668415	63761415
8 modules LED LLC1300	3000	71	<0,5	6650	93,7	1340	1370	63678315	63771315
8 modules LED LLC1300	4000	71	<0,5	6930	97,6	1340	1370	63678415	63771415

TITAN LED + slave version + extinction warning									
technical specifications and conditions of use for dali : www.securlite.com (NOT0880)									
Designation	CCT (K)	Power (W)	Power in standby (W)	Luminaire output (lm)	Luminaire efficacy (lm/W)	Aperture length (mm)	Frame length (mm)	Code 316L brushed	Code 304L painted
2 modules LED LLC900	3000	13	<0,5	1000	76,9	730	760	63608304	63701304
2 modules LED LLC900	4000	13	<0,5	1050	80,8	730	760	63608404	63701404
2 modules LED LLC1300	3000	22	<0,5	1930	87,7	730	760	63618304	63711304
2 modules LED LLC1300	4000	22	<0,5	2010	91,4	730	760	63618404	63711404
4 modules LED LLC900	3000	18	<0,5	1750	98,3	730	760	63628304	63721304
4 modules LED LLC900	4000	18	<0,5	1820	102,8	730	760	63628404	63721404
4 modules LED LLC1300	3000	44	<0,5	3910	88,9	730	760	63638304	63731304
4 modules LED LLC1300	4000	44	<0,5	4080	92,7	730	760	63638404	63731404
4 modules LED LLC900	3000	18	<0,5	1770	97,2	1340	1370	63648304	63741304
4 modules LED LLC900	4000	18	<0,5	1850	101,1	1340	1370	63648404	63741404
4 modules LED LLC1300	3000	44	<0,5	3870	87,9	1340	1370	63658304	63751304
4 modules LED LLC1300	4000	44	<0,5	4030	91,6	1340	1370	63658404	63751404
8 modules LED LLC900	3000	42	<0,5	4080	97,1	1340	1370	63668304	63761304
8 modules LED LLC900	4000	42	<0,5	4250	101,2	1340	1370	63668404	63761404
8 modules LED LLC1300	3000	71	<0,5	6650	93,7	1340	1370	63678304	63771304
8 modules LED LLC1300	4000	71	<0,5	6930	97,6	1340	1370	63678404	63771404

TITAN LED + slave version + stand-by warning									
technical specifications and conditions of use for dali : www.securlite.com (NOT0880)									
Designation	CCT (K)	Power (W)	Power in standby (W)	Luminaire output (lm)	Luminaire efficacy (lm/W)	Aperture length (mm)	Frame length (mm)	Code 316L brushed	Code 304L painted
2 modules LED LLC900	3000	13	<0,5	1000	76,9	730	760	63608305	63701305
2 modules LED LLC900	4000	13	<0,5	1050	80,8	730	760	63608405	63701405
2 modules LED LLC1300	3000	22	<0,5	1930	87,7	730	760	63618305	63711305
2 modules LED LLC1300	4000	22	<0,5	2010	91,4	730	760	63618405	63711405
4 modules LED LLC900	3000	18	<0,5	1750	98,3	730	760	63628305	63721305
4 modules LED LLC900	4000	18	<0,5	1820	102,8	730	760	63628405	63721405
4 modules LED LLC1300	3000	44	<0,5	3910	88,9	730	760	63638305	63731305
4 modules LED LLC1300	4000	44	<0,5	4080	92,7	730	760	63638405	63731405
4 modules LED LLC900	3000	18	<0,5	1770	97,2	1340	1370	63648305	63741305
4 modules LED LLC900	4000	18	<0,5	1850	101,1	1340	1370	63648405	63741405
4 modules LED LLC1300	3000	44	<0,5	3870	87,9	1340	1370	63658305	63751305
4 modules LED LLC1300	4000	44	<0,5	4030	91,6	1340	1370	63658405	63751405
8 modules LED LLC900	3000	42	<0,5	4080	97,1	1340	1370	63668305	63761305
8 modules LED LLC900	4000	42	<0,5	4250	101,2	1340	1370	63668405	63761405
8 modules LED LLC1300	3000	71	<0,5	6650	93,7	1340	1370	63678305	63771305
8 modules LED LLC1300	4000	71	<0,5	6930	97,6	1340	1370	63678405	63771405

Technical and dimensional data are given for information only and may be modified at any time without notice. Please enquire before ordering.

05/01/2024

Technical data and order codes

TITAN LED with Pro detection + radio-control									
technical specifications and conditions of use for detection : www.securlite.com (NOT0420)									
Designation	CCT (K)	Power (W)	Power in standby (W)	Luminaire output (lm)	Luminaire efficacy (lm/W)	Aperture length (mm)	Frame length (mm)	Code 316L brushed	Code 304L painted
2 modules LED LLC900	3000	13	0,5	1000	76,9	730	760	63608316	63701316
2 modules LED LLC900	4000	13	0,5	1050	80,8	730	760	63608416	63701416
2 modules LED LLC1300	3000	22	0,5	1930	87,7	730	760	63618316	63711316
2 modules LED LLC1300	4000	22	0,5	2010	91,4	730	760	63618416	63711416
4 modules LED LLC900	3000	18	0,5	1750	98,3	730	760	63628316	63721316
4 modules LED LLC900	4000	18	0,5	1820	102,8	730	760	63628416	63721416
4 modules LED LLC1300	3000	44	0,5	3910	88,9	730	760	63638316	63731316
4 modules LED LLC1300	4000	44	0,5	4080	92,7	730	760	63638416	63731416
4 modules LED LLC900	3000	18	0,5	1770	97,2	1340	1370	63648316	63741316
4 modules LED LLC900	4000	18	0,5	1850	101,1	1340	1370	63648416	63741416
4 modules LED LLC1300	3000	44	0,5	3870	87,9	1340	1370	63658316	63751316
4 modules LED LLC1300	4000	44	0,5	4030	91,6	1340	1370	63658416	63751416
8 modules LED LLC900	3000	42	0,5	4080	97,1	1340	1370	63668316	63761316
8 modules LED LLC900	4000	42	0,5	4250	101,2	1340	1370	63668416	63761416
8 modules LED LLC1300	3000	71	0,5	6650	93,7	1340	1370	63678316	63771316
8 modules LED LLC1300	4000	71	0,5	6930	97,6	1340	1370	63678416	63771416

TITAN LED + DALI dimmable + switch dimming									
technical specifications and conditions of use for dali : www.securlite.com (NOT0880)									
Designation	CCT (K)	Power (W)	Power in standby (W)	Luminaire output (lm)	Luminaire efficacy (lm/W)	Aperture length (mm)	Frame length (mm)	Code 316L brushed	Code 304L painted
2 modules LED LLC900	3000	13	<0,5	1000	76,9	730	760	63608321	63701321
2 modules LED LLC900	4000	13	<0,5	1050	80,8	730	760	63608421	63701421
2 modules LED LLC1300	3000	22	<0,5	1930	87,7	730	760	63618321	63711321
2 modules LED LLC1300	4000	22	<0,5	2010	91,4	730	760	63618421	63711421
4 modules LED LLC900	3000	18	<0,5	1750	98,3	730	760	63628321	63721321
4 modules LED LLC900	4000	18	<0,5	1820	102,8	730	760	63628421	63721421
4 modules LED LLC1300	3000	44	<0,5	3910	88,9	730	760	63638321	63731321
4 modules LED LLC1300	4000	44	<0,5	4080	92,7	730	760	63638421	63731421
4 modules LED LLC900	3000	18	<0,5	1770	97,2	1340	1370	63648321	63741321
4 modules LED LLC900	4000	18	<0,5	1850	101,1	1340	1370	63648421	63741421
4 modules LED LLC1300	3000	44	<0,5	3870	87,9	1340	1370	63658321	63751321
4 modules LED LLC1300	4000	44	<0,5	4030	91,6	1340	1370	63658421	63751421
8 modules LED LLC900	3000	42	<0,5	4080	97,1	1340	1370	63668321	63761321
8 modules LED LLC900	4000	42	<0,5	4250	101,2	1340	1370	63668421	63761421
8 modules LED LLC1300	3000	71	<0,5	6650	93,7	1340	1370	63678321	63771321
8 modules LED LLC1300	4000	71	<0,5	6930	97,6	1340	1370	63678421	63771421

Operating instruction : www.securlite.com (NOT0560)

Technical and dimensional data are given for information only and may be modified at any time without notice. Please enquire before ordering.

05/01/2024