



BANG ROUND ACCESS

Features

- Input voltage: 220–240 V AC, 50/60 Hz
- Input voltage range: 198–264 V AC
- Electrical protection class 2
- IP: 55, with silicone gasket
- IK: 11 / 50 joules
- Incandescent wire test 850 °C / 30 s
- Rated ambient operating temperature: 25 °C
- Operating temperature range : -20 °C ... +35 °C
- Anti-rip-out skirt, 4 internal fixing points
- VK35 wall-mounted, VK36 ceiling-mounted
- CRI: 80
- SDCM (Standard Deviation Colour Matching): 5
- Photobiological hazard: RG0
- Energy class C light source
- Lumen maintenance: L70B50 / 50,000 hours
- Repairable luminaire. Spare parts available on demand
- 3-year guarantee, details of conditions available on securlite.com

Applications

- Architectural luminaire for indoor and outdoor environments subject to moderate vandalism
- Conditions of use:
 - Models with detection: installation indoor only
 - Installation positions: refer to installation instructions

Materials

- Base: re-inforced polyamide
- Diffuser: opal polycarbonate
- Screw washers: through-coloured polycarbonate
- RoHS: the products contain no prohibited substances as defined in the European Directive 2011/65/UE amendments

Colours / Finish

- Standard base colours: through-coloured white RAL9003
- Screw washers: white RAL9003

Wiring

- Supply terminal block: automatic dual-entry for 1.5 mm² conductors
- Second separate power supply terminal for LED standby
- 1 × 20.5 mm Ø cable entry + 1 knockout × 20.5 mm Ø cable entry for cable gland

Technical and dimensional data are given for information only and may be modified at any time without notice. Please enquire before ordering.

05/01/2024

Fixings

- Diffuser closed using 2 × M5 stainless fixing screws with 2-point tamper-proof heads and captive washers

Facilities available

- Stainless crosspoint screws: add the suffix 9702 to the product code – example: 156xxxxx **9702**

Tools *(to be ordered separately)*

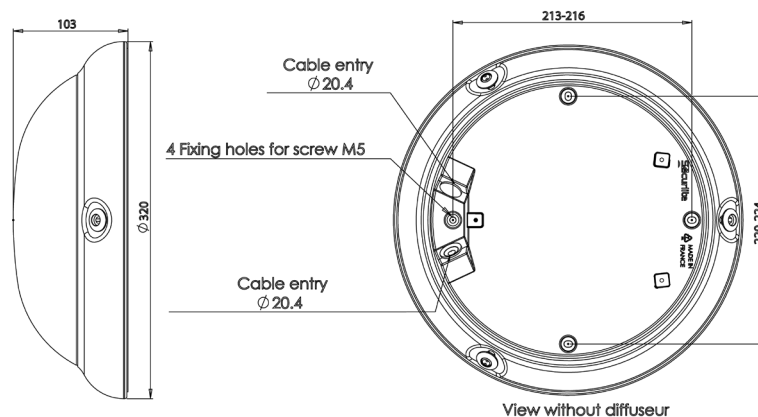
- M5 bit for 2-point tamper-proof screws – code: **105000003**
- Bit-holder screwdriver – code: **105000005**

Approvals

Certificates available:

- CE certificate (as per EN60598-1 / 2-1)
- Incandescent Wire Test certificate (depending on product)

Dimensions



Technical data and order codes

| BANG ROUND ACCESS | | | | | | |
|------------------------|---------|-----------|-----------------------|-----------------------|---------------------------|----------|
| Designation | CCT (K) | Power (W) | Power in Stand-by (W) | Luminaire output (lm) | Luminaire efficacy (lm/W) | White |
| Bang Round Access 1200 | 4000 | 10 | - | 1050 | 105 | 15650400 |
| Bang Round Access 2000 | 4000 | 14 | - | 1600 | 114 | 15660400 |
| Bang Round Access 2750 | 4000 | 19 | - | 2300 | 121 | 15670400 |

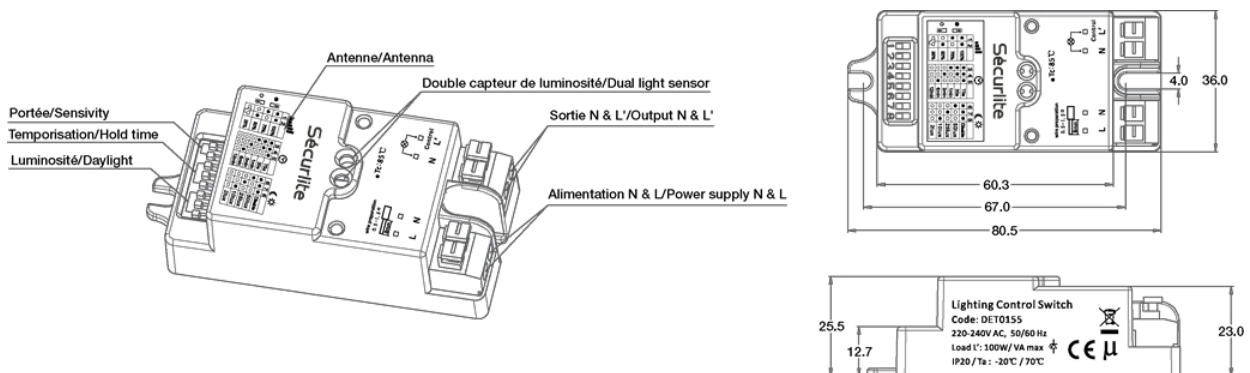
| BANG ROUND ACCESS with detection technical specifications and conditions for detection (NOT0805): www.securlite.com | | | | | | |
|---|---------|-----------|-----------------------|-----------------------|---------------------------|----------|
| Designation | CCT (K) | Power (W) | Power in Stand-by (W) | Luminaire output (lm) | Luminaire efficacy (lm/W) | White |
| Bang Round Access 1200 | 4000 | 11 | <0,5 | 1050 | 95 | 15650410 |
| Bang Round Access 2000 | 4000 | 15 | <0,5 | 1600 | 107 | 15660410 |
| Bang Round Access 2750 | 4000 | 19 | <0,5 | 2300 | 121 | 15670410 |

Operating instruction : www.securlite.com (NOT0510)

* Maximum load (L'): 10 Securlite LED light fittings with a limit of 100 W / VA

Factory preset, ready to install under standard conditions:

- field sensitivity 50%
- hold time 30 s
- light level on 50 lux



• Operating instruction : www.securlite.com (NOT0805)

Technical and dimensional data are given for information only and may be modified at any time without notice. Please enquire before ordering.

05/01/2024