

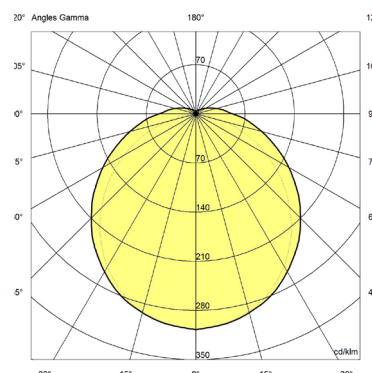


FILA² LED

PC/PMMA COEXTRUDED

Features

- Input voltage: 220–240 V AC, 50/60 Hz
- Input voltage range: 198–264 V AC
- Electrical protection class 1
- IP: 67
- IK: 10 / 20 joules
- Incandescent wire test 850 °C / 30 s Rated ambient operating temperature: 25 °C
- Operating temperature range : -20 °C ... +35 °C
- VK21 wall-mounted, VK21 ceiling-mounted, VK21 suspended
- CRI: 80
- SDCM (Standard Deviation Colour Matching): 3
- Photobiological hazard: RG0
- Energy class C light source
- Lumen maintenance: L80B10 / over 72,000 hours
- Lumen maintenance: L90B50 / 52,000 hours
- Number of detector switching cycles: 1,000,000 at maximum load.
- Repairable luminaire. Spare parts available on demand
- 5-year guarantee, details of conditions available on securlite.com



Applications

- Architectural luminaire for indoor and outdoor environments subject to moderate vandalism
- Conditions of use:
 - Models with detection: not recommended for outdoor use
 - Installation positions: refer to installation instructions

Materials

- UV-stabilized PC/PMMA body, oil and hydrocarbon resistance, 66 mm Ø, thickness 2 mm
- Plug-in terminal block
- End caps and fittings: 304L or 316L stainless steel (depending on the version)
- Sealing via compressed silicone gasket
- Closure by 2 stainless screws CHC at each end
- IP67 cable gland at one end
- RoHS: the products contain no prohibited substances as defined in the European Directive 2011/65/UE and amendments

Colours / Finish

- PC/PMMA coextruded diffuser/body with white reflector plate

Wiring

- Supply terminal block: connector conductors
 - 1,5 mm² (3G1.5mm² or 5G1.5mm² cable)
 - 2.5mm² (3 G2.5mm² cable only)
- Cable gland for cable with ø 6 to 12 mm max

Technical and dimensional data are given for information only and may be modified at any time without notice. Please enquire before ordering.

05/01/2024

Fixing

- End caps closed using 2 × M6 stainless screws with CHC-type heads

Facilities available

- Through wiring: add the suffix **9101** to the product code – example: 73xxxxxx **9101**
- Quick connect: add the suffix **9102** to the product code – example: 73xxxxxx **9102**
- Quick connect + through wiring: add the suffix **9103** to the product code – example: 73xxxxxx **9103**
- Stainless vandal-resistant screws: add the suffix **9701** to the product code – example: 73xxxxxx **9701**
- In-line joiner: add the suffix **9801** to the product code – example: 73xxxxxx **9801**

Accessories (to be ordered separately)

Fila² 70

Kit of 304L stainless fittings for wall mounting, standard screw fixing – code **98737001**

Kit of 304L stainless fittings for wall mounting, turnbuckle fixing – code **98737002**

Kit of 304L stainless fittings for suspended mounting, standard screw fixing – code **98737003**

Kit of 316L stainless fittings for wall mounting, standard screw fixing – code **98738001**

Kit of 316L stainless fittings for suspended mounting, standard screw fixing – code **98738003**

One kit contains two fittings.

Optional stainless steel vandal-resistant screws: add suffix 9701 to the product code: e.g. **987370019701**

In-line joiner

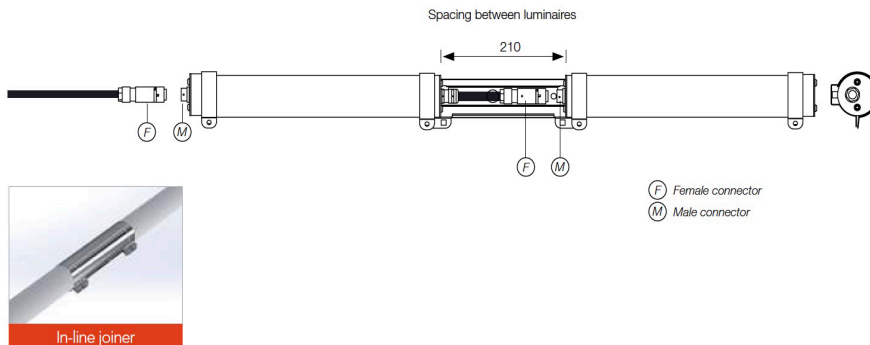
304L stainless steel joiner for Fila² 70 – code 98737004

304L stainless steel joiner for Fila² 100 – code 98747004

316L stainless steel joiner Fila² 70 – code 98738004

316L stainless steel joiner Fila² 100 – code 98748004

The stainless steel joiners must be ordered separately.



For use only in association with additional option code 9801 (in-line fitting): e.g. 730074009801

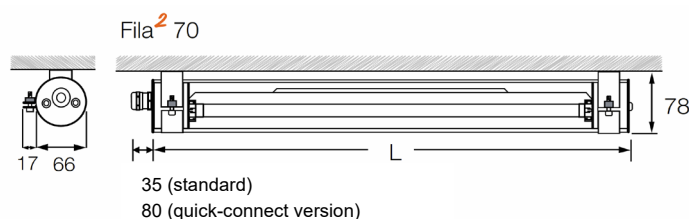
Optional stainless steel vandal-resistant screws: add suffix 9701 to the product code: e.g. 987370049701

Approvals

Certificates available:

- CE certificate (as per EN60598-1 / 2-1)
 - Incandescent Wire Test certificate (depending on product)

Dimensions



Technical and dimensional data are given for information only and may be modified at any time without notice. Please enquire before ordering.

05/01/2024

Technical data and order codes

FILA ² 70 LED									
Designation	CCT (K)	Power (W)	Power in standby (W)	Power factor	L (mm)	Luminaire output (lm)	Luminaire efficacy (lm/W)	Code 304L stainless steel	Code 316L stainless steel
2 modules LLC1300	3000	19	-	>0,9	690	2340	123,2	73047300	73048300
2 modules LLC1300	4000	19	-	>0,9	690	2439	128,4	73047400	73048400
3 modules LLC1300	3000	26	-	>0,9	970	3352	128,9	73057300	73058300
3 modules LLC1300	4000	26	-	>0,9	970	3494	134,4	73057400	73058400
4 modules LLC1300	3000	36	-	>0,9	1250	4681	130,0	73067300	73068300
4 modules LLC1300	4000	36	-	>0,9	1250	4878	135,5	73067400	73068400
5 modules LLC1300	3000	41	-	>0,9	1530	5380	131,2	73077300	73078300
5 modules LLC1300	4000	41	-	>0,9	1530	5608	136,8	73077400	73078400

FILA ² 70 LED with Pro detection									
technical specifications and conditions of use for detection : www.securlite.com (NOT0410)									
Designation	CCT (K)	Power (W)	Power in standby (W)	Power factor	L (mm)	Luminaire output (lm)	Luminaire efficacy (lm/W)	Code 304L stainless steel	Code 316L stainless steel
2 modules LLC1300	3000	20	<0,5	>0,9	855	2340	117,0	73047312	73048312
2 modules LLC1300	4000	20	<0,5	>0,9	855	2439	122,0	73047412	73048412
3 modules LLC1300	3000	27	<0,5	>0,9	1135	3352	124,1	73057312	73058312
3 modules LLC1300	4000	27	<0,5	>0,9	1135	3494	129,4	73057412	73058412
4 modules LLC1300	3000	37	<0,5	>0,9	1415	4681	126,5	73067312	73068312
4 modules LLC1300	4000	37	<0,5	>0,9	1415	4878	131,8	73067412	73068412
5 modules LLC1300	3000	42	<0,5	>0,9	1695	5380	128,1	73077312	73078312
5 modules LLC1300	4000	42	<0,5	>0,9	1695	5608	133,5	73077412	73078412

FILA ² 70 LED with Pro detection + extinction warning									
technical specifications and conditions of use for detection : www.securlite.com (NOT0410)									
Designation	CCT (K)	Power (W)	Power in standby (W)	Power factor	L (mm)	Luminaire output (lm)	Luminaire efficacy (lm/W)	Code 304L stainless steel	Code 316L stainless steel
2 modules LLC1300	3000	20	<0,5	>0,9	855	2340	117,0	73047314	73048314
2 modules LLC1300	4000	20	<0,5	>0,9	855	2439	122,0	73047414	73048414
3 modules LLC1300	3000	27	<0,5	>0,9	1135	3352	124,1	73057314	73058314
3 modules LLC1300	4000	27	<0,5	>0,9	1135	3494	129,4	73057414	73058414
4 modules LLC1300	3000	37	<0,5	>0,9	1415	4681	126,5	73067314	73068314
4 modules LLC1300	4000	37	<0,5	>0,9	1415	4878	131,8	73067414	73068414
5 modules LLC1300	3000	42	<0,5	>0,9	1695	5380	128,1	73077314	73078314
5 modules LLC1300	4000	42	<0,5	>0,9	1695	5608	133,5	73077414	73078414

FILA ² 70 LED with Pro detection + standby warning									
technical specifications and conditions of use for detection : www.securlite.com (NOT0410)									
Designation	CCT (K)	Power (W)	Power in standby (W)	Power factor	L (mm)	Luminaire output (lm)	Luminaire efficacy (lm/W)	Code 304L stainless steel	Code 316L stainless steel
2 modules LLC1300	3000	20	<0,5	>0,9	855	2340	117,0	73047315	73048315
2 modules LLC1300	4000	20	<0,5	>0,9	855	2439	122,0	73047415	73048415
3 modules LLC1300	3000	27	<0,5	>0,9	1135	3352	124,1	73057315	73058315
3 modules LLC1300	4000	27	<0,5	>0,9	1135	3494	129,4	73057415	73058415
4 modules LLC1300	3000	37	<0,5	>0,9	1415	4681	126,5	73067315	73068315
4 modules LLC1300	4000	37	<0,5	>0,9	1415	4878	131,8	73067415	73068415
5 modules LLC1300	3000	42	<0,5	>0,9	1695	5380	128,1	73077315	73078315
5 modules LLC1300	4000	42	<0,5	>0,9	1695	5608	133,5	73077415	73078415

FILA ² 70 LED slave version + extinction warning									
technical specifications and conditions of use for dali : www.securlite.com (NOT0880)									
Designation	CCT (K)	Power (W)	Power in standby (W)	Power factor	L (mm)	Luminaire output (lm)	Luminaire efficacy (lm/W)	Code 304L stainless steel	Code 316L stainless steel
2 modules LLC1300	3000	20	<0,5	>0,9	690	2340	117,0	73047304	73048304
2 modules LLC1300	4000	20	<0,5	>0,9	690	2439	122,0	73047404	73048404
3 modules LLC1300	3000	27	<0,5	>0,9	970	3352	124,1	73057304	73058304
3 modules LLC1300	4000	27	<0,5	>0,9	970	3494	129,4	73057404	73058404
4 modules LLC1300	3000	37	<0,5	>0,9	1250	4681	126,5	73067304	73068304
4 modules LLC1300	4000	37	<0,5	>0,9	1250	4878	131,8	73067404	73068404
5 modules LLC1300	3000	42	<0,5	>0,9	1530	5380	128,1	73077304	73078304
5 modules LLC1300	4000	42	<0,5	>0,9	1530	5608	133,5	73077404	73078404

Technical and dimensional data are given for information only and may be modified at any time without notice. Please enquire before ordering.

05/01/2024

Technical data and order codes

FILA² 70 LED slave version + stand-by warning
technical specifications and conditions of use for dali : www.securlite.com (NOT0880)

Designation	CCT (K)	Power (W)	Power in standby (W)	Power factor	L (mm)	Luminaire output (lm)	Luminaire efficacy (lm/W)	Code 304L stainless steel	Code 316L stainless steel
2 modules LLC1300	3000	20	<0,5	>0,9	690	2340	117,0	73047305	73048305
2 modules LLC1300	4000	20	<0,5	>0,9	690	2439	122,0	73047405	73048405
3 modules LLC1300	3000	27	<0,5	>0,9	970	3352	124,1	73057305	73058305
3 modules LLC1300	4000	27	<0,5	>0,9	970	3494	129,4	73057405	73058405
4 modules LLC1300	3000	37	<0,5	>0,9	1250	4681	126,5	73067305	73068305
4 modules LLC1300	4000	37	<0,5	>0,9	1250	4878	131,8	73067405	73068405
5 modules LLC1300	3000	42	<0,5	>0,9	1530	5380	128,1	73077305	73078305
5 modules LLC1300	4000	42	<0,5	>0,9	1530	5608	133,5	73077405	73078405

FILA² 70 LED DALI dimmable + switch dimming
technical specifications and conditions of use for dali : www.securlite.com (NOT0880)

Designation	CCT (K)	Power (W)	Power in standby (W)	Power factor	L (mm)	Luminaire output (lm)	Luminaire efficacy (lm/W)	Code 304L stainless steel	Code 316L stainless steel
2 modules LLC1300	3000	20	<0,5	>0,9	690	2340	117,0	73047321	73048321
2 modules LLC1300	4000	20	<0,5	>0,9	690	2439	122,0	73047421	73048421
3 modules LLC1300	3000	27	<0,5	>0,9	970	3352	124,1	73057321	73058321
3 modules LLC1300	4000	27	<0,5	>0,9	970	3494	129,4	73057421	73058421
4 modules LLC1300	3000	37	<0,5	>0,9	1250	4681	126,5	73067321	73068321
4 modules LLC1300	4000	37	<0,5	>0,9	1250	4878	131,8	73067421	73068421
5 modules LLC1300	3000	42	<0,5	>0,9	1530	5380	128,1	73077321	73078321
5 modules LLC1300	4000	42	<0,5	>0,9	1530	5608	133,5	73077421	73078421

FILA² 70 LED with Pro detection + radio-control
technical specifications and conditions of use for detection : www.securlite.com (NOT0420)

Designation	CCT (K)	Power (W)	Power in standby (W)	Power factor	L (mm)	Luminaire output (lm)	Luminaire efficacy (lm/W)	Code 304L stainless steel	Code 316L stainless steel
2 modules LLC1300	3000	20	0,5	>0,9	855	2340	117,0	73047316	73048316
2 modules LLC1300	4000	20	0,5	>0,9	855	2439	122,0	73047416	73048416
3 modules LLC1300	3000	27	0,5	>0,9	1135	3352	124,1	73057316	73058316
3 modules LLC1300	4000	27	0,5	>0,9	1135	3494	129,4	73057416	73058416
4 modules LLC1300	3000	37	0,5	>0,9	1415	4681	126,5	73067316	73068316
4 modules LLC1300	4000	37	0,5	>0,9	1415	4878	131,8	73067416	73068416
5 modules LLC1300	3000	42	0,5	>0,9	1695	5380	128,1	73077316	73078316
5 modules LLC1300	4000	42	0,5	>0,9	1695	5608	133,5	73077416	73078416

Operating instruction : www.securlite.com (NOT0565)

Technical and dimensional data are given for information only and may be modified at any time without notice. Please enquire before ordering.

05/01/2024