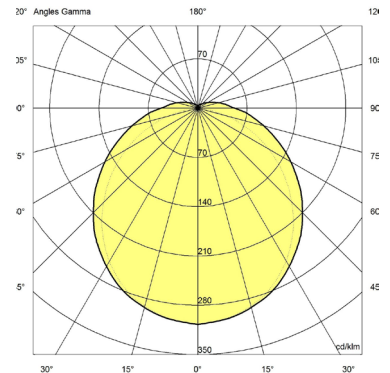




**FILA**<sup>2</sup>

## Features

- Input voltage: 220–240 V AC, 50/60 Hz
- Input voltage range: 198–264 V AC
- Electrical protection class 1
- IP: 67
- IK: 10 / 20 joules
- Incandescent wire test 850 °C / 30 s
- Rated ambient operating temperature: 25 °C
- Operating temperature range : -20 °C ... +35 °C
- VK21 wall-mounted, VK21 ceiling-mounted, VK21 suspended
- CRI: 80
- SDCM (Standard Deviation Colour Matching): 3
- Photobiological hazard: RG0
- Energy class C light source
- Lumen maintenance: L80B10 / over 72,000 hours
- Lumen maintenance: L90B50 / 52,000 hours
- Number of detector switching cycles: 1,000,000 at maximum load.
- Repairable luminaire. Spare parts available on demand
- 5-year guarantee, details of conditions available on [securlite.com](http://securlite.com)



## Applications

- Decorative luminaire for indoor and outdoor environments subject to moderate vandalism
- Conditions of use:
  - Version with detection: not recommended for outdoor use
  - Installation positions: refer to installation instructions

## Materials

- UV-stabilized opal polycarbonate body, 66 mm Ø, thickness 2 mm
- Plug-in terminal block
- End caps and fittings: 304L or 316L stainless steel (depending on the version)
- Sealing via compressed silicone gasket
- Closure by 2 stainless screws CHC at each end
- IP67 cable gland at one end
- RoHS: the products contain no prohibited substances as defined in the European Directive 2011/65/UE and amendments

## Colours / Finish

- Opal polycarbonate body with white reflector plate

## Wiring

- Supply terminal block: connector conductors
  - 1,5 mm<sup>2</sup> (3G1.5mm<sup>2</sup> or 5G1.5mm<sup>2</sup> cable)
  - 2.5mm<sup>2</sup> (3 G2.5mm<sup>2</sup> cable only)

Technical and dimensional data are given for information only and may be modified at any time without notice. Please enquire before ordering.

05/01/2024

- Cable gland for cable with  $\varnothing$  6 to 12 mm max

## Fixings

- End caps closed using 2 × M6 stainless screws with CHC-type heads

## Facilities available

- Through wiring: add the suffix **9101** to the product code – example: 74xxxxxx **9101**
- Quick connect: add the suffix **9102** to the product code – example: 74xxxxxx **9102**
- Quick connect + through wiring: add the suffix **9103** to the product code – example: 74xxxxxx **9103**
- Stainless vandal-resistant screws: add the suffix **9701** to the product code – example: 74xxxxxx **9701**
- In-line joiner: add the suffix **9801** to the product code – example: 74xxxxxx **9801**
- Class 2: add the suffix 9502 to the product code – example: 73xxxxxx**9502**

## Accessories (to be ordered separately)

### Fila<sup>2</sup>70

Kit of 304L stainless fittings for wall mounting, standard screw fixing – code **98737001**

Kit of 304L stainless fittings for wall mounting, turnbuckle fixing – code **98737002**

Kit of 304L stainless fittings for suspended mounting, standard screw fixing – code **98737003**

Kit of 316L stainless fittings for wall mounting, standard screw fixing – code **98738001**

Kit of 316L stainless fittings for suspended mounting, standard screw fixing – code **98738003**

One kit contains tow fittings.

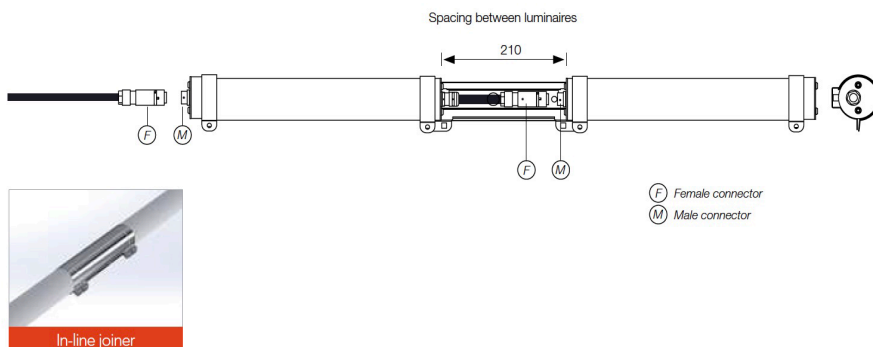
Optional stainless steel vandal-resistant screws: add suffix 9701 to the product code: e.g. **987370019701**

### In-line joiner

304L stainless steel joiner for Fila<sup>2</sup>70 – code **98737004**

316L stainless steel joiner Fila<sup>2</sup>70 – code **98738004**

The stainless steel joiners must be ordered separately.



For use only in association with additional option code 9801 (in-line fitting): e.g. 730074009801

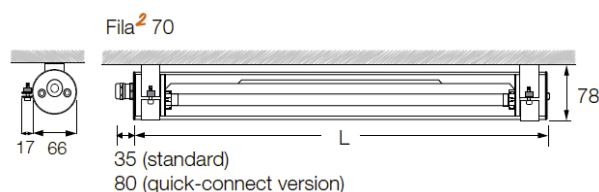
Optional stainless steel vandal-resistant screws: add suffix 9701 to the product code: e.g. 987370049701

## Approvals

Certificates available:

- CE certificate (as per EN60598-1 / 2-1)
- Incandescent Wire Test certificate (depending on product)

## Dimensions



## Technical data and order codes

FILA <sup>2</sup> 70 LED										
Designation	CCT (K)	Power (W)	Power in standby (W)	Power factor	L (mm)	Luminaire output (lm)	Luminaire efficacy (lm/W)	Typical UGR	304L stainless steel reference	316L stainless steel reference
2 modules LLC1300	3000	9,4	-	>0,9	690	1075	114,4	20,8	73087300	73088300
2 modules LLC1300	4000	9,4	-	>0,9	690	1100	117	20,8	73087400	73088400
2 modules LLC1300	3000	14	-	>0,9	690	1700	121,4	22,3	73097300	73098300
2 modules LLC1300	4000	14	-	>0,9	690	1800	128,6	22,5	73097400	73098400
2 modules LLC1300	3000	19	-	>0,9	690	2340	123,2	23,5	73007300	73008300
2 modules LLC1300	4000	19	-	>0,9	690	2439	128,4	23,6	73007400	73008400
3 modules LLC1300	3000	15	-	>0,9	970	1750	116,7	21,3	73107300	73108300
3 modules LLC1300	4000	15	-	>0,9	970	1850	123,3	21,5	73107400	73108400
3 modules LLC1300	3000	21	-	>0,9	970	2750	131	22,8	73117300	73118300
3 modules LLC1300	4000	21	-	>0,9	970	2850	135,7	23	73117400	73118400
3 modules LLC1300	3000	26	-	>0,9	970	3352	128,9	23,5	73017300	73018300
3 modules LLC1300	4000	26	-	>0,9	970	3494	134,4	23,7	73017400	73018400
4 modules LLC1300	3000	16	-	>0,9	1250	2150	134,4	21,1	73127300	73128300
4 modules LLC1300	4000	16	-	>0,9	1250	2200	137,5	21,2	73127400	73128400
4 modules LLC1300	3000	29	-	>0,9	1250	3800	131	23,1	73137300	73138300
4 modules LLC1300	4000	29	-	>0,9	1250	3900	134,5	23,2	73137400	73138400
4 modules LLC1300	3000	32	-	>0,9	1250	4100	128,1	23,4	73147300	73148300
4 modules LLC1300	4000	32	-	>0,9	1250	4300	134,4	23,5	73147400	73148400
4 modules LLC1300	3000	36	-	>0,9	1250	4681	130,0	23,8	73027300	73028300
4 modules LLC1300	4000	36	-	>0,9	1250	4878	135,5	24	73027400	73028400
5 modules LLC1300	3000	21	-	>0,9	1530	2850	135,7	21,4	73157300	73158300
5 modules LLC1300	4000	21	-	>0,9	1530	2950	140,5	21,5	73157400	73158400
5 modules LLC1300	3000	38	-	>0,9	1530	5100	134,2	23,4	73167300	73168300
5 modules LLC1300	4000	38	-	>0,9	1530	5300	139,5	23,5	73167400	73168400
5 modules LLC1300	3000	41	-	>0,9	1530	5380	131,2	23,6	73037300	73038300
5 modules LLC1300	4000	41	-	>0,9	1530	5608	136,8	23,7	73037400	73038400

FILA <sup>2</sup> 70 LED with Pro detection technical specifications and conditions of use for detection : <a href="http://www.securlite.com">www.securlite.com</a> (NOT0410)										
Designation	CCT (K)	Power (W)	Power in standby (W)	Power factor	L (mm)	Luminaire output (lm)	Luminaire efficacy (lm/W)	Typical UGR	304L stainless steel reference	316L stainless steel reference
2 modules LLC1300	3000	10	<0,5	>0,9	855	1075	107,5	20	73087312	73088312
2 modules LLC1300	4000	10	<0,5	>0,9	855	1100	110	20,1	73087412	73088412
2 modules LLC1300	3000	15	<0,5	>0,9	855	1700	113,3	21,6	73097312	73098312
2 modules LLC1300	4000	15	<0,5	>0,9	855	1800	120	21,8	73097412	73098412
2 modules LLC1300	3000	20	<0,5	>0,9	855	2340	117	22,7	73007312	73008312
2 modules LLC1300	4000	20	<0,5	>0,9	855	2439	122	22,9	73007412	73008412
3 modules LLC1300	3000	16	<0,5	>0,9	1135	1750	109,4	20,7	73107312	73108312
3 modules LLC1300	4000	16	<0,5	>0,9	1135	1850	115,6	20,9	73107412	73108412
3 modules LLC1300	3000	22	<0,5	>0,9	1135	2750	125	22,3	73117312	73118312
3 modules LLC1300	4000	22	<0,5	>0,9	1135	2850	129,6	22,4	73117412	73118412
3 modules LLC1300	3000	27	<0,5	>0,9	1135	3352	124,2	23	73017312	73018312
3 modules LLC1300	4000	27	<0,5	>0,9	1135	3494	129,4	23,1	73017412	73018412
4 modules LLC1300	3000	17	<0,5	>0,9	1415	2150	126,5	20,7	73127312	73128312
4 modules LLC1300	4000	17	<0,5	>0,9	1415	2200	129,4	20,8	73127412	73128412
4 modules LLC1300	3000	30	<0,5	>0,9	1415	3800	126,7	22,7	73137312	73138312
4 modules LLC1300	4000	30	<0,5	>0,9	1415	3900	130	22,7	73137412	73138412
4 modules LLC1300	3000	33	<0,5	>0,9	1415	4100	124,2	22,9	73147312	73148312
4 modules LLC1300	4000	33	<0,5	>0,9	1415	4300	130,3	23,1	73147412	73148412
4 modules LLC1300	3000	37	<0,5	>0,9	1415	4681	126,5	23,4	73027312	73028312
4 modules LLC1300	4000	37	<0,5	>0,9	1415	4878	131,8	23,5	73027412	73028412
5 modules LLC1300	3000	22	<0,5	>0,9	1695	2850	129,6	21	73157312	73158312
5 modules LLC1300	4000	22	<0,5	>0,9	1695	2950	134,1	21,2	73157412	73158412
5 modules LLC1300	3000	39	<0,5	>0,9	1695	5100	130,8	23,1	73167312	73168312
5 modules LLC1300	4000	39	<0,5	>0,9	1695	5300	135,9	23,2	73167412	73168412
5 modules LLC1300	3000	42	<0,5	>0,9	1695	5380	128,1	23,2	73037312	73038312
5 modules LLC1300	4000	42	<0,5	>0,9	1695	5608	133,5	23,4	73037412	73038412

Technical and dimensional data are given for information only and may be modified at any time without notice. Please enquire before ordering.

05/01/2024

## Technical data and order codes

**FILA<sup>2</sup>70 LED with Pro detection + extinction warning**  
*technical specifications and conditions of use for detection : [www.securlite.com](http://www.securlite.com) (NOT0410)*

Designation	CCT (K)	Power (W)	Power in standby (W)	Power factor	L (mm)	Luminaire output (lm)	Luminaire efficacy (lm/W)	Opal 304L stainless steel	Opal 316L stainless steel
2 modules LLC1300	3000	20	<0,5	>0,9	855	2340	117,0	73007314	73008314
2 modules LLC1300	4000	20	<0,5	>0,9	855	2439	122,0	73007414	73008414
3 modules LLC1300	3000	27	<0,5	>0,9	1135	3352	124,1	73017314	73018314
3 modules LLC1300	4000	27	<0,5	>0,9	1135	3494	129,4	73017414	73018414
4 modules LLC1300	3000	37	<0,5	>0,9	1415	4681	126,5	73027314	73028314
4 modules LLC1300	4000	37	<0,5	>0,9	1415	4878	131,8	73027414	73028414
5 modules LLC1300	3000	42	<0,5	>0,9	1695	5380	128,1	73037314	73038314
5 modules LLC1300	4000	42	<0,5	>0,9	1695	5608	133,5	73037414	73038414

**FILA<sup>2</sup>70 LED with Pro detection + standby warning**  
*technical specifications and conditions of use for detection : [www.securlite.com](http://www.securlite.com) (NOT0410)*

Designation	CCT (K)	Power (W)	Power in standby (W)	Power factor	L (mm)	Luminaire output (lm)	Luminaire efficacy (lm/W)	Opal 304L stainless steel	Opal 316L stainless steel
2 modules LLC1300	3000	20	<0,5	>0,9	855	2340	117,0	73007315	73008315
2 modules LLC1300	4000	20	<0,5	>0,9	855	2439	122,0	73007415	73008415
3 modules LLC1300	3000	27	<0,5	>0,9	1135	3352	124,1	73017315	73018315
3 modules LLC1300	4000	27	<0,5	>0,9	1135	3494	129,4	73017415	73018415
4 modules LLC1300	3000	37	<0,5	>0,9	1415	4681	126,5	73027315	73028315
4 modules LLC1300	4000	37	<0,5	>0,9	1415	4878	131,8	73027415	73028415
5 modules LLC1300	3000	42	<0,5	>0,9	1695	5380	128,1	73037315	73038315
5 modules LLC1300	4000	42	<0,5	>0,9	1695	5608	133,5	73037415	73038415

**FILA<sup>2</sup>70 LED slave version + extinction warning**  
*technical specifications and conditions of use for dali : [www.securlite.com](http://www.securlite.com) (NOT0880)*

Designation	CCT (K)	Power (W)	Power in standby (W)	Power factor	L (mm)	Luminaire output (lm)	Luminaire efficacy (lm/W)	Opal 304L stainless steel	Opal 316L stainless steel
2 modules LLC1300	3000	20	<0,5	>0,9	690	2340	117,0	73007304	73008304
2 modules LLC1300	4000	20	<0,5	>0,9	690	2439	122,0	73007404	73008404
3 modules LLC1300	3000	27	<0,5	>0,9	970	3352	124,1	73017304	73018304
3 modules LLC1300	4000	27	<0,5	>0,9	970	3494	129,4	73017404	73018404
4 modules LLC1300	3000	37	<0,5	>0,9	1250	4681	126,5	73027304	73028304
4 modules LLC1300	4000	37	<0,5	>0,9	1250	4878	131,8	73027404	73028404
5 modules LLC1300	3000	42	<0,5	>0,9	1530	5380	128,1	73037304	73038304
5 modules LLC1300	4000	42	<0,5	>0,9	1530	5608	133,5	73037404	73038404

**FILA<sup>2</sup>70 LED slave version + stand-by warning**  
*technical specifications and conditions of use for dali : [www.securlite.com](http://www.securlite.com) (NOT0880)*

Designation	CCT (K)	Power (W)	Power in standby (W)	Power factor	L (mm)	Luminaire output (lm)	Luminaire efficacy (lm/W)	Opal 304L stainless steel	Opal 316L stainless steel
2 modules LLC1300	3000	20	<0,5	>0,9	690	2340	117,0	73007305	73008305
2 modules LLC1300	4000	20	<0,5	>0,9	690	2439	122,0	73007405	73008405
3 modules LLC1300	3000	27	<0,5	>0,9	970	3352	124,1	73017305	73018305
3 modules LLC1300	4000	27	<0,5	>0,9	970	3494	129,4	73017405	73018405
4 modules LLC1300	3000	37	<0,5	>0,9	1250	4681	126,5	73027305	73028305
4 modules LLC1300	4000	37	<0,5	>0,9	1250	4878	131,8	73027405	73028405
5 modules LLC1300	3000	42	<0,5	>0,9	1530	5380	128,1	73037305	73038305
5 modules LLC1300	4000	42	<0,5	>0,9	1530	5608	133,5	73037405	73038405

Technical and dimensional data are given for information only and may be modified at any time without notice. Please enquire before ordering.

05/01/2024

## Technical data and order codes

<b>FILA 270 LED DALI dimmable + switch dimming</b> <i>technical specifications and conditions of use for dali : <a href="http://www.securlite.com">www.securlite.com</a> (NOT0880)</i>									
Designation	CCT (K)	Power (W)	Power in standby (W)	Power factor	L (mm)	Luminaire output (lm)	Luminaire efficacy (lm/W)	Opal 304L stainless steel	Opal 316L stainless steel
2 modules LLC1300	3000	20	<0,5	>0,9	690	2340	117,0	73007321	73008321
2 modules LLC1300	4000	20	<0,5	>0,9	690	2439	122,0	73007421	73008421
3 modules LLC1300	3000	27	<0,5	>0,9	970	3352	124,1	73017321	73018321
3 modules LLC1300	4000	27	<0,5	>0,9	970	3494	129,4	73017421	73018421
4 modules LLC1300	3000	37	<0,5	>0,9	1250	4681	126,5	73027321	73028321
4 modules LLC1300	4000	37	<0,5	>0,9	1250	4878	131,8	73027421	73028421
5 modules LLC1300	3000	42	<0,5	>0,9	1530	5380	128,1	73037321	73038321
5 modules LLC1300	4000	42	<0,5	>0,9	1530	5608	133,5	73037421	73038421

<b>FILA 270 LED with Pro detection + radio-control</b> <i>technical specifications and conditions of use for detection : <a href="http://www.securlite.com">www.securlite.com</a> (NOT0420)</i>									
Designation	CCT (K)	Power (W)	Power in standby (W)	Power factor	L (mm)	Luminaire output (lm)	Luminaire efficacy (lm/W)	Opal 304L stainless steel	Opal 316L stainless steel
2 modules LLC1300	3000	20	0,5	>0,9	855	2340	117,0	73007316	73008316
2 modules LLC1300	4000	20	0,5	>0,9	855	2439	122,0	73007416	73008416
3 modules LLC1300	3000	27	0,5	>0,9	1135	3352	124,1	73017316	73018316
3 modules LLC1300	4000	27	0,5	>0,9	1135	3494	129,4	73017416	73018416
4 modules LLC1300	3000	37	0,5	>0,9	1415	4681	126,5	73027316	73028316
4 modules LLC1300	4000	37	0,5	>0,9	1415	4878	131,8	73027416	73028416
5 modules LLC1300	3000	42	0,5	>0,9	1695	5380	128,1	73037316	73038316
5 modules LLC1300	4000	42	0,5	>0,9	1695	5608	133,5	73037416	73038416

Operating instruction : [www.securlite.com](http://www.securlite.com) (NOT0565)