



## VAUBAN A / E

### Features

- Input voltage: 220–240 V AC, 50/60 Hz
- Input voltage range: 198–264 V AC
- Electrical protection class 1
- IP: 65
- IK: 11+ / 80 joules
- Incandescent wire test 850 °C / 30 s
- Rated ambient operating temperature: 25 °C
- Operating temperature range : -20 °C ... +35 °C
- VK45 surface mounted, VK46 ceiling mounted, VK46 flush mounted
- CRI: 80
- SDCM (Standard Deviation Colour Matching): 3
- Photobiological hazard: RG0
- Energy class C light source
- Lumen maintenance: L80B10 / over 72,000 hours
- Lumen maintenance: L90B50 / 52,000 hours
- Number of detector switching cycles: 1,000,000 at maximum load.
- Repairable luminaire. Spare parts available on demand
- 5-year guarantee, details of conditions available on [securlite.com](http://securlite.com)

### Applications

- Technical luminaire in EZ steel version for indoor or outdoor environment
- Stainless version: 316L brushed stainless for severe corrosive environments (seaside), indoor and outdoor
- Stainless version: 304L painted stainless for indoor or outdoor environment
- Installation positions: refer to installation instructions

### Materials

- Base: 1 mm thick zinc-plated steel, frame 2 mm thick ZP steel
- Stainless version: 316L brushed stainless body and frame
- Stainless version: 304L painted stainless body and frame
- Diffuser: opal polycarbonate
- RoHS: the products contain no prohibited substances as defined in the European Directive 2011/65/UE and amendments

### Colours / Finish

- Standard colour: graphite grey RAL7016, abrasion-resistant polyester paint finish, withstands polluting chemical elements
- 316L brushed stainless
- 304L painted stainless: graphite grey RAL7016, abrasion-resistant polyester paint finish, withstands polluting chemical elements

### Wiring

- Supply terminal block: automatic, dual-entry, for 3 × 1.5 mm<sup>2</sup> conductors
- 1 × 20.5 mm Ø cable entry (rear side)

### Fixings

- Diffuser: retained by M6 stainless 2-point tamper-proof screws with sealing washers

*Technical and dimensional data are given for information only and may be modified at any time without notice. Please enquire before ordering.*

## Facilities available

- Flat Duroflam® diffuser (IK11+ 80J): add the suffix **9413** to the product code – example: 51xxxxxx **9413**
- Flat opal PC diffuser (IK11+ 80J): add the suffix **9415** to the product code – example: 51xxxxxx **9415**
- Anti-graffiti protection: add the suffix **9601** to the product code – example: 51xxxxxx **9601**
- Stainless crosspoint screws (VK44): add the suffix **9702** to the product code – example: 51xxxxxx **9702**

## Tools (to be ordered separately)

- M6 bit for 2-point tamper-proof screws – code: **98000004**
- Bit-holder screwdriver – code: **980000005**

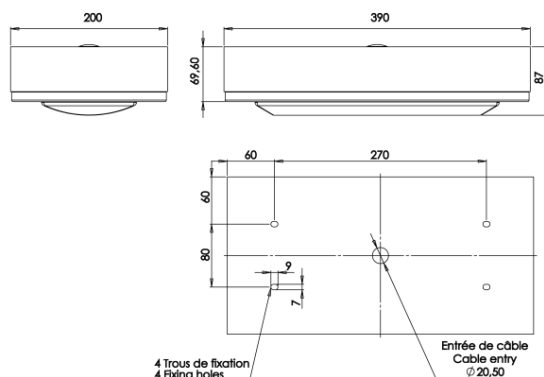
## Approvals

Certificates available:

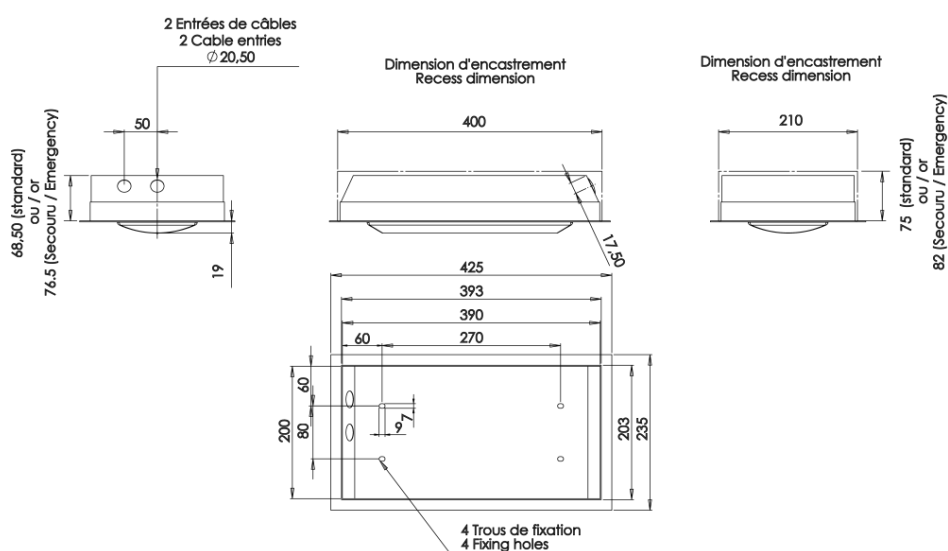
- CE certificate (as per EN60598-1 / 2-1)
- Incandescent Wire Test certificate (depending on product)

## Dimensions

### VAUBAN A :



### VAUBAN E :



Technical and dimensional data are given for information only and may be modified at any time without notice. Please enquire before ordering.

## Technical data and order codes

VAUBAN A LED						
Designation	CCT (K)	Power (W)	Luminaire output (lm)	Luminaire efficacy (lm/W)	Length L (mm)	Code EZ steel
1 module	3000K	7,8	700	89,7	390	51151300
1 module	4000K	7,8	725	92,9	390	51151400
2 modules	3000K	17	1650	97	390	51161300
2 modules	4000K	17	1700	100	390	51161400

VAUBAN A STAINLESS LED dimmable + switch dimming + standby warning						
Designation	CCT (K)	Power (W)	Luminaire output (lm)	Luminaire efficacy (lm/W)	Length L (mm)	Code EZ steel
1 module	3000K	7,8	700	89,7	390	51151321
1 module	4000K	7,8	725	92,9	390	51151421
2 modules	3000K	17	1650	97	390	51161321
2 modules	4000K	17	1700	100	390	51161421

## Technical data and order codes

VAUBAN E STAINLESS LED								
Designation	CCT (K)	Power (W)	Luminaire output (lm)	Luminaire efficacy (lm/W)	Recess Length L (mm)	Length L (mm)	Code 316L	Code 304L
1 module	3000K	7,8	700	89,7	400	425	51358300	51451300
1 module	4000K	7,8	725	92,9	400	425	51358400	51451400
2 modules	3000K	17	1650	97	400	425	51368300	51461300
2 modules	4000K	17	1700	100	400	425	51368400	51461400

VAUBAN E STAINLESS LED dimmable + switch dimming + standby warning								
Designation	CCT (K)	Power (W)	Luminaire output (lm)	Luminaire efficacy (lm/W)	Recess Length L (mm)	Length L (mm)	Code 316L	Code 304L
1 module	3000K	7,8	700	89,7	400	425	51358321	51451321
1 module	4000K	7,8	725	92,9	400	425	51358421	51451421
2 modules	3000K	17	1650	97	400	425	51368321	51461321
2 modules	4000K	17	1700	100	400	425	51368421	51461421

Operating instruction : [www.securlite.com](http://www.securlite.com) (NOT0590)