



BORGIO PRISON

Features

- Input voltage: 220–240 V AC, 50/60 Hz
- Input voltage range: 198–264 V AC
- Electrical protection class 1
- IP65 (switch version)
- IP20 (switch + socket version)
- IK11 / 80 joules
- Incandescent wire test 850 °C / 30 s
- Rated ambient operating temperature: 25 °C
- Operating temperature range : -20 °C ... +35 °C
- VK46 surface mounted
- CRI: 80
- SDCM (Standard Deviation Colour Matching): 3
- Photobiological hazard: RG0
- Energy class C light source
- Lumen maintenance: L80B10 / over 72,000 hours
- Lumen maintenance: L90B50 / 52,000 hours
- Number of detector switching cycles: 1,000,000 at maximum load.
- Repairable luminaire. Spare parts available on demand
- 5-year guarantee, details of conditions available on securlite.com

Applications

- Decorative luminaire for indoor environments subject to moderate and severe vandalism
- Installation positions: refer to installation instructions

Materials

- Base: 1 mm thick zinc-plated steel, frame 2 mm thick ZP steel
- Diffuser: opal diffusing polycarbonate
- RoHS: the products contain no prohibited substances as defined in the European Directive 2011/65/UE and amendments

Colours / Finish

- Standard colour: white RAL9003
- Abrasion-resistant polyester paint finish, withstands polluting chemical elements

Wiring

- Supply terminal block: automatic, dual-entry, for 3 × 1.5 mm² conductors
- 1 × 20.5 mm Ø rear cable entry

Technical data sheet

BORGO PRISON - FT0298

Fixings

- Diffuser: retained by M6 stainless 2-point tamper-proof screws with sealing washers

Facilities available

- Flat Duroflam® diffuser: add the suffix **9413** to the product code – example: 53xxxxxx **9413**
- Flat diffusing opal PC diffuser: add the suffix **9415** to the product code – example: 53xxxxxx **9415**
- Stainless crosspoint screws (VK44): add the suffix **9702** to the product code – example: 53xxxxxx **9702**

Tools

(to be ordered separately)

- M6 bit for 2-point tamper-proof screws – code: **98000004**
- Bit-holder screwdriver – code: **98000005**

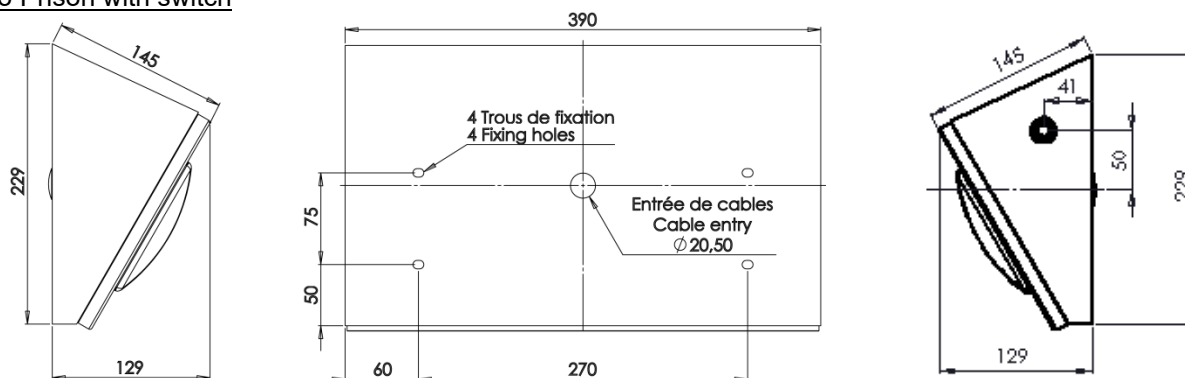
Approvals

Certificates available:

- CE certificate (as per EN60598-1 / 2-1)
- Incandescent Wire Test certificate (depending on product)

Dimensions

Borgo Prison with switch



Technical data and order codes

BORGO PRISON LED IP65 with switch						
Designation	CCT (K)	Power (W)	Luminaire output (lm)	Luminaire efficacy (lm/W)	Length (mm)	Code
1 module LLC900	3000K	7,8	700	90	390	53241300
1 module LLC900	4000K	7,8	725	93	390	53241400
2 modules LLC900	3000K	17	1650	97	390	53251300
2 modules LLC900	4000K	17	1700	100	390	53251400

Operating instruction : www.securlite.com (NOT0595)

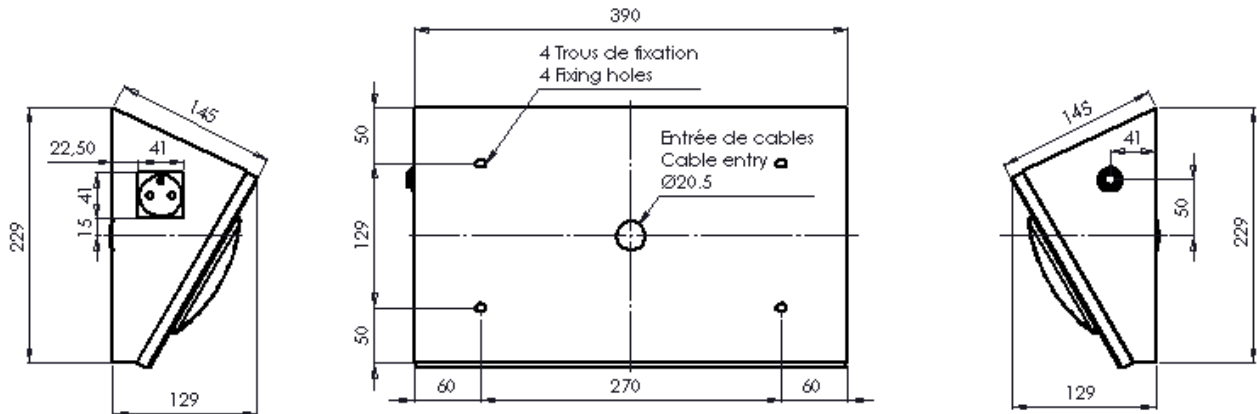
Technical and dimensional data are given for information only and may be modified at any time without notice. Please enquire before ordering.

05/01/2024

Technical data sheet

BORGO PRISON - FT0298

Borgo Prison with switch and socket



Technical data and order codes

BORGO PRISON LED IP20 with switch and socket						
Designation	CCT (K)	Power (W)	Luminaire output (lm)	Luminaire efficacy (lm/W)	Length (mm)	Code
1 module	3000K	7,8	700	90	390	53261300
1 module	4000K	7,8	725	93	390	53261400
2 modules	3000K	17	1650	97	390	53271300
2 modules	4000K	17	1700	100	390	53271400

Operating instruction : www.securlite.com (NOT0595)

Technical and dimensional data are given for information only and may be modified at any time without notice. Please enquire before ordering.

05/01/2024