



VOILA + STANDBY LED

Features

- Input voltage: 220–240 V AC, 50/60 Hz
- Input voltage range: 198–264 V AC
- Electrical protection class 2
- IP: 55, with silicone gasket
- IK: 10 / 20 joules
- Incandescent wire test 850 °C / 30 s
- Rated ambient operating temperature: 25 °C
- Operating temperature range : -20 °C ... +35 °C
- Anti-rip-out skirt, 4 internal fixing points
- VK26 wall-mounted, VK26 ceiling-mounted
- CRI: 80
- SDCM (Standard Deviation Colour Matching): 3
- Photobiological hazard: RG0
- Energy class C light source
- Lumen maintenance: L80B10 / 72,000 hours
- Repairable luminaire. Spare parts available on demand
- 5-year guarantee, details of conditions available on securlite.com

Applications

- Decorative luminaire for indoor and outdoor environments subject to moderate vandalism
- Conditions of use:
 - Installation positions: refer to installation instructions

Materials

- Base: recycled polycarbonate
- Diffuser: opal polycarbonate
- RoHS: the products contain no prohibited substances as defined in the European Directive 2011/65/UE and amendments

Colours / Finish

- Standard base colours: white RAL9003, black RAL9005, grey RAL7035
- Screw covers: white RAL9003, black RAL9005, grey RAL7035

Wiring

- Supply terminal block: automatic dual-entry for 1.5 mm² conductors
- Second separate power supply terminal for LED standby
- 1 × 20.5 mm Ø cable entry + 1 knockout × 20.5 mm Ø cable entry for cable gland

Technical and dimensional data are given for information only and may be modified at any time without notice. Please enquire before ordering.

Fixings

- Standard versions use M5 stainless cross-point diffuser fixing screws (VK24)
- Vandal-resistant versions use M5 stainless 2-point tamper-proof diffuser fixing screws
- Captive diffuser screws

Facilities available

- Stainless crosspoint screws: add the suffix **9702** to the product code – example: 104xxxxx **9702**
- White screw cover RAL9003 code: **98100012**
- Grey screw cover RAL7035 code: **98100011**
- Black screw cover RAL9005 code: **98100003**

Accessories

(to be ordered separately)

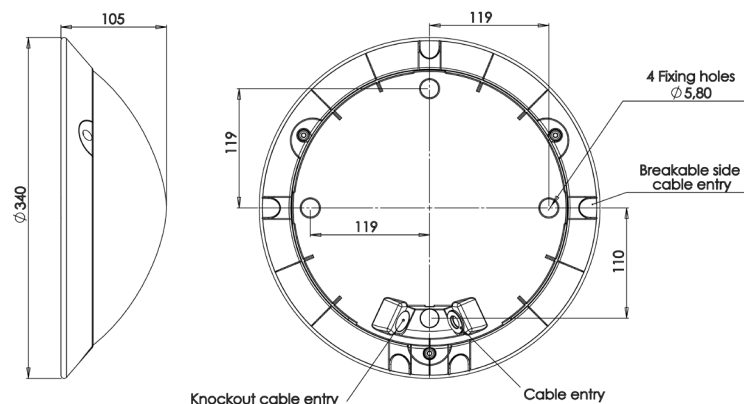
- M5 bit for 2-point tamper-proof screws – code: **98000003**
- Remote control (radio-control version) – code: **98000010**
- Bit-holder screwdriver – code: **98000005**

Approvals

Certificates available:

- CE certificate (as per EN60598-1 / 2-1)
- Incandescent Wire Test certificate (depending on product)

Dimensions



Technical data and order codes

VOILA LED + veille LED								
Designation	CCT (K)	Power (W)	Luminaire output (lm)	Luminaire efficacy (lm/W)	Standby LED power (W)	White	Grey	Black
Voila LED 1200	3000	8,9	1030	116	3,3	106003009301	106033009301	106023009301
Voila LED 1200	4000	8,9	1075	121	3,3	106004009301	106034009301	106024009301
Voila LED 1800	3000	13	1445	111	3,3	106103009301	106133009301	106123009301
Voila LED 1800	4000	13	1505	116	3,3	106104009301	106134009301	106124009301
Voila LED 2400	3000	18	2040	113	3,3	106203009301	106233009301	106223009301
Voila LED 2400	4000	18	2125	118	3,3	106204009301	106234009301	106224009301
Voila LED 3000	3000	20	2450	123	3,3	106703009301	106733009301	106723009301
Voila LED 3000	4000	20	2550	127	3,3	106704009301	106734009301	106724009301

Operating instruction : www.securlite.com (NOT0315)

Technical and dimensional data are given for information only and may be modified at any time without notice. Please enquire before ordering.