



BANG ROUND E27 BANG SQUARE E27 BANG RECTANGLE E27

Features

- Input voltage: 220–240 V AC, 50/60 Hz
- Input voltage range: 198–264 V AC
- Electrical protection class 2
- IP: 55, with silicone gasket
- IK: 11 / 50 joules
- Incandescent wire test 850 °C / 30 s
- Rated ambient operating temperature: 25 °C
- Operating temperature range : -20 °C ... +35 °C
- Anti-rip-out skirt, 4 internal fixing points
- VK35 wall-mounted, VK36 ceiling-mounted
- Number of detector switching cycles: 1,000,000 at maximum load.
- Repairable luminaire. Spare parts available on demand
- 1-year guarantee, details of conditions available on securlite.com

Applications

- Architectural luminaire for indoor and outdoor environments subject to moderate vandalism
- Conditions of use:
 - Models with detection: installation indoor only
 - Installation positions: refer to installation instructions

Materials

- Base: re-inforced polyamide
- Diffuser: opal polycarbonate
- Screw washers: through-coloured polycarbonate
- RoHS: the products contain no prohibited substances as defined in the European Directive 2011/65/UE amendments

Colours / Finish

- Standard base colours: through-coloured white RAL9003
- Screw washers: white RAL9003

Wiring

- Supply terminal block: automatic dual-entry for 1.5 mm² conductors
- 1 × 20.5 mm Ø cable entry + 1 knockout × 20.5 mm Ø cable entry for cable gland

Fixings

- Diffuser closed using 2 × M5 stainless fixing screws with 2-point tamper-proof heads and captive washers

Facilities available

- Stainless crosspoint screws: add the suffix 9702 to the product code – example: 156xxxxx **9702**

Tools (to be ordered separately)

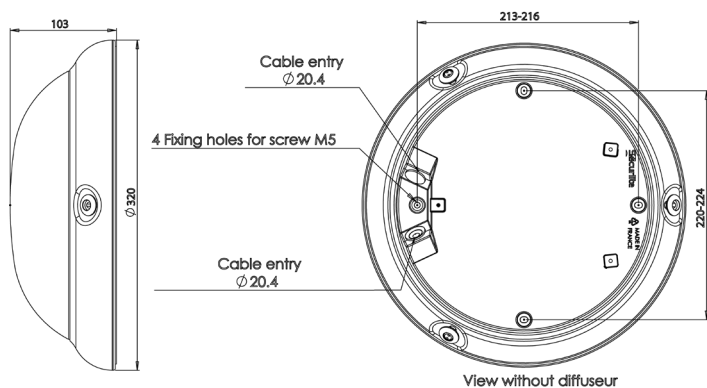
- M5 bit for 2-point tamper-proof screws – code: **105000003**
- Bit-holder screwdriver – code: **105000005**

Approvals

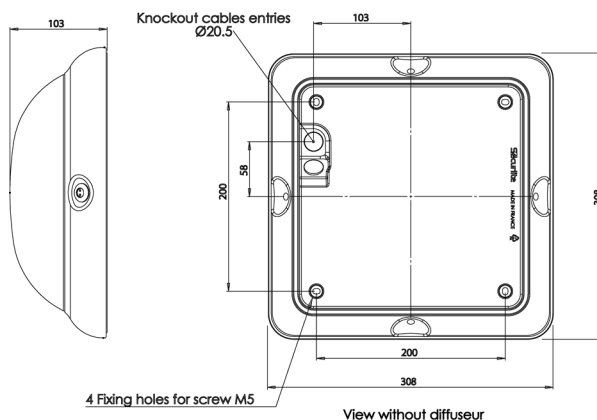
- CE certificate (as per EN60598-1 / 2-1)
- Incandescent Wire Test certificate (depending on product)

Dimensions

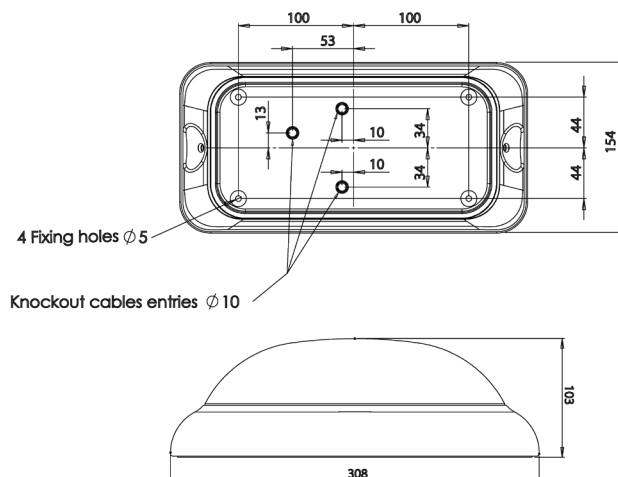
BANG ROUND



BANG SQUARE



BANG RECTANGLE



BANG ROND

Technical data and order codes

| BANG ROND | | | | | | | | | | |
|------------------|------------|---------|-----------------|---------------------|-----------------------|-----------------------|---------------------------|----------|----------|----------|
| Designation | lampholder | CCT (K) | Lampe power (W) | Luminaire power (W) | Flux from source (lm) | Luminaire output (lm) | Luminaire efficacy (lm/W) | White | Grey | Black |
| E27 without lamp | E27 | - | - | - | - | - | - | 15000000 | 15001000 | 15002000 |

| BANG ROND with detection technical specifications and conditions for detection (NOT0400): www.securlite.com (NOT0400) | | | | | | | | | | |
|---|------------|---------|-----------------|---------------------|-----------------------|-----------------------|---------------------------|----------|----------|----------|
| Designation | lampholder | CCT (K) | Lampe power (W) | Luminaire power (W) | Flux from source (lm) | Luminaire output (lm) | Luminaire efficacy (lm/W) | White | Grey | Black |
| E27 without lamp | E27 | - | - | - | - | - | - | 15000011 | 15001011 | 15002011 |

Operating instruction : www.securlite.com (NOT0510)

BANG SQUARE

Technical data and order codes

| BANG SQUARE | | | | | | | | | | |
|------------------|------------|---------|-----------------|---------------------|-----------------------|-----------------------|---------------------------|----------|----------|----------|
| Designation | lampholder | CCT (K) | Lampe power (W) | Luminaire power (W) | Flux from source (lm) | Luminaire output (lm) | Luminaire efficacy (lm/W) | White | Grey | Black |
| E27 without lamp | E27 | - | - | - | - | - | - | 16000000 | 16001000 | 16002000 |

| BANG SQUARE with detection technical specifications and conditions for detection (NOT0400): www.securlite.com (NOT0400) | | | | | | | | | | |
|---|------------|---------|-----------------|---------------------|-----------------------|-----------------------|---------------------------|----------|----------|----------|
| Designation | lampholder | CCT (K) | Lampe power (W) | Luminaire power (W) | Flux from source (lm) | Luminaire output (lm) | Luminaire efficacy (lm/W) | White | Grey | Black |
| E27 without lamp | E27 | - | - | - | - | - | - | 16000011 | 16001011 | 16002011 |

Operating instruction : www.securlite.com (NOT0515)

BANG RECTANGLE

Technical data and order codes

| BANG RECTANGLE | | | | | | | | | | |
|------------------|------------|---------|-----------------|---------------------|-----------------------|-----------------------|---------------------------|----------|----------|----------|
| Designation | lampholder | CCT (K) | Lampe power (W) | Luminaire power (W) | Flux from source (lm) | Luminaire output (lm) | Luminaire efficacy (lm/W) | White | Grey | Black |
| E27 without lamp | E27 | - | - | - | - | - | - | 16800000 | 16801000 | 16802000 |

Operating instruction : www.securlite.com (NOT0520)