

OSMO

Features

- Input voltage: 220–240 V AC, 50/60 Hz
- Input voltage range: 198–264 V AC
- Electrical protection class 2
- IP: 65
- IK: 10 / 20 joules
- Incandescent wire test 850 °C / 30 s
- Rated ambient operating temperature: 25 °C
- Operating temperature range : -20 °C ... +35 °C
- VK21 (standard), VK25 (antivandal version)
- CRI: 80
- SDCM (Standard Deviation Colour Matching): 5
- Photobiological hazard: RG0
- Energy class C light source
- Lumen maintenance: L80B10 / 50,000 hours
- Repairable luminaire. Spare parts available on demand
- 5-year guarantee, details of conditions available on securlite.com

Applications

- Decorative luminaire for indoor environment subject to moderate vandalism
- Conditions of use:
 - Installation positions: refer to installation instructions

Materials

- Base: recycled polycarbonate
- Diffuser: opal polycarbonate
- RoHS: the products contain no prohibited substances as defined in the European Directive 2011/65/UE and amendments

Colours / Finish

- Standard base color: white

Fixings

- Vandal-resistant version use 1 stainless fixing screw

Facilities available

- Antivandal version: add the suffix **9701** to the product code – (ex: 110xxxxx **9701**)

Accessories (to be ordered separately)

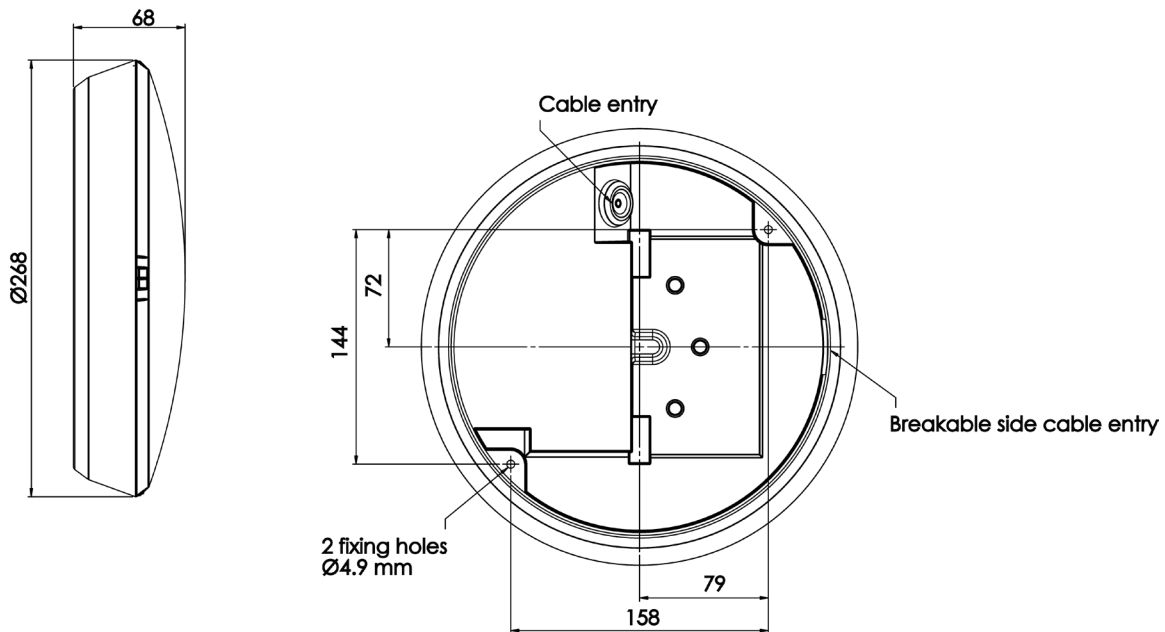
- Tool for antivandal screw – code : **9811 0010**
- Tool kit + 3 antivandal screws – code : **9811 0001**
- Tool kit + 25 antivandal screws – code : **9811 0002**

Approvals

Certificates available:

- CE certificate (as per EN60598-1 / 2-1)
- Incandescent Wire Test certificate (depending on product)

Dimensions



Technical data and order codes

OSMO							
Technical specifications and conditions for detection : www.securlite.com (NOT0805)							
Version	Color	CCT (K)	Power (W)	Power in stand-by (W)	Luminaire output (lm)	Luminaire efficacy (lm/W)	Reference
LED	Blanc	3000	8,7	-	850	98	1100 0300
LED	White	4000	8,7	-	1000	115	1100 0400
LED + détection	Blanc	3000	9,7	0,41	850	88	1100 0310
LED + detection	White	4000	9,7	0,41	1000	103	1100 0410

Operating instruction : www.securlite.com (NOT0885)

Technical and dimensional data are given for information only and may be modified at any time without notice. Please enquire before ordering.