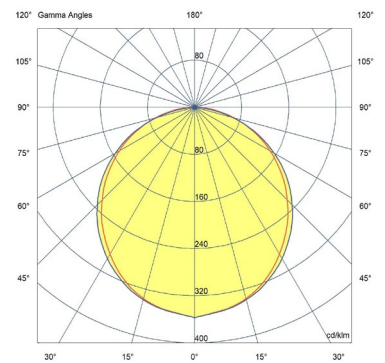




SYSTEO S OPALESCENT

Features

- Input voltage : 220-240V AC, 50/60 Hz
- Input voltage range : 198-264 V AC
- Electrical protection class : 2
- IP : 65
- IK : 11+ / 80 joules
- Incandescent wire test 850° / 30 s
- Rated ambient operating temperature : 25° C
- Operating temperature range : -20 °C ... +35 °C
- VK 45 (wall and ceiling-mounted) / 22 (suspended)
- IRC : 80
- SDCM : 3
- Photobiological hazard : RG0
- Energy class C light source
- Lumen maintenance : L80B10 / over 72 000 h
- Lumen maintenance : L90B50 / 50 000 h
- Number of detector switching cycles: 1,000,000 at maximum load.
- Repairable luminaire. Spare parts available on demand
- 5-year guarantee, details of conditions available on securlite.com



Applications

- Architectural luminaire for indoor and outdoor environments subject to moderate vandalism
- Street lighting luminaire in surface mounted version
- Conditions of use :
 - Installation positions : refer to installation instructions
 - Version with detection : not recommended for outdoor use

Material

- Aluminium alloy body
 - Metal alloy end caps and covers
 - Opalescent polycarbonate diffuser
 - Plug-in terminal block
 - Gasket made of SEBS
- RoHS : the products contain no prohibited substances as defined in the European Directive 2011/65/UE and amendments

Colours / Finish

- Two-layer corrosion protection
- Standard colour : Grey RAL7016 fine texture

Wiring

- Supply terminal block : connector conductors
 - 1,5mm² (3G1.5mm² or 5G1.5mm² cable)
 - 2.5mm² (3G2.5mm² cable only)
- 1 input at one end via cable gland IP67 ISO M20 for cable Ø 6 to 12 mm max
- Not apparent quick power connection

Screws

- Locking of the light unit with two stainless steel safety screws Torx + Pin (M5 – Tx25)
- Locking of the end caps with two stainless steel security screws Torx + Pin (M4 – Tx20)

Facilities available

- Through wiring - (ex : 56xxxxxx**9101**)
- UV reinforced varnish or anti-graffiti – (ex : 56xxxxxx**9601**)
- Lateral cable entry - (ex : 56xxxxxx**9805**)
- Lateral cable entries with through-wiring – (ex : 56xxxxxx**9806**)

Tools *(to be ordered separately)*

- Head insert Torx + Pin (screw M4 – TX20) - code : **98000036**
- Head insert Torx + Pin (screw M5 – TX25) - code : **98000012**
- Screwdriver insert holder – code : **98000005**
- Remote control for radio controlled version – code : **98000010**

Accessories *(to be ordered separately)*

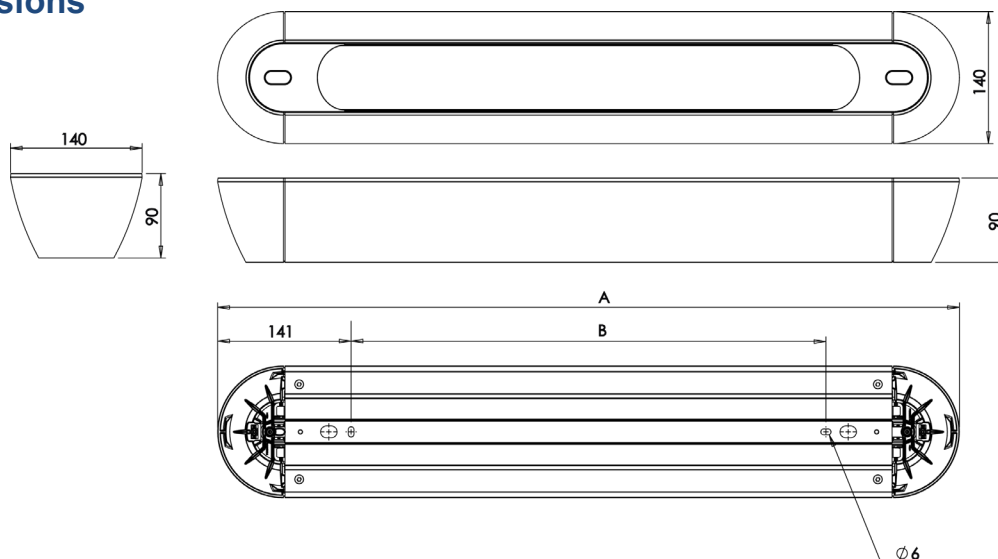
- Suspended mounting kit : **98540002**

Approvals

Certificates available :

- CE certificate (as per EN60598-1 / 2-1 / 2-3)
- Incandescent wire test certificate (depending on product)

Dimensions



A (mm)	B wall and ceiling-mounted version (mm)	B suspended version (mm)	KG
1066	783	779	7,30 Kg
1346	1063	1059	8,90 Kg

Technical and dimensional data are given for information only and may be modified at any time without notice. Please enquire before ordering.

2

05/01/2024

Technical data and order codes

SYSTEO S OPALESCENT							
Length L (mm)	CCT (K)	Power (W)	Power in standby (W)	Power factor	Luminaire output (lm)	Luminaire efficacy (lm/W)	Reference
1066	3000	9,1	-	0,75	800	89	56081300
1066	4000	9,1	-	0,75	850	97	56081400
1066	3000	14	-	0,85	1350	96	56021300
1066	4000	14	-	0,85	1400	100	56021400
1066	3000	26	-	0,90	2600	100	56031300
1066	4000	26	-	0,90	2700	104	56031400
1346	3000	19	-	0,90	1900	100	56041300
1346	4000	19	-	0,90	1950	103	56041400
1346	3000	37	-	0,95	3650	99	56051300
1346	4000	37	-	0,95	3800	103	56051400

SYSTEO S OPALESCENT – slave version + extinction warning							
Length L (mm)	CCT (K)	Power (W)	Power in standby (W)	Power factor	Luminaire output (lm)	Luminaire efficacy (lm/W)	Reference
1066	3000	9,0	<0,20	0,75	800	89	56081304
1066	4000	9,0	<0,20	0,75	850	97	56081404
1066	3000	14	<0,20	0,85	1350	96	56021304
1066	4000	14	<0,20	0,85	1400	100	56021404
1066	3000	26	<0,20	0,95	2600	100	56031304
1066	4000	26	<0,20	0,95	2700	104	56031404
1346	3000	19	<0,20	0,90	1900	100	56041304
1346	4000	19	<0,20	0,90	1950	103	56041404
1346	3000	37	<0,20	0,95	3650	99	56051304
1346	4000	37	<0,20	0,95	3800	103	56051404

SYSTEO S OPALESCENT – slave version + standby warning							
Length L (mm)	CCT (K)	Power (W)	Power in standby (W)	Power factor	Luminaire output (lm)	Luminaire efficacy (lm/W)	Reference
1066	3000	9,0	2,4	0,75	800	89	56081305
1066	4000	9,0	2,4	0,75	850	97	56081405
1066	3000	14	2,8	0,85	1350	96	56021305
1066	4000	14	2,8	0,85	1400	100	56021405
1066	3000	26	3,9	0,95	2600	100	56031305
1066	4000	26	3,9	0,95	2700	104	56031405
1346	3000	19	3,2	0,90	1900	100	56041305
1346	4000	19	3,2	0,90	1950	103	56041405
1346	3000	37	4,7	0,95	3650	99	56051305
1346	4000	37	4,7	0,95	3800	103	56051405

SYSTEO S OPALESCENT – with Pro detection + radio-control							
Technical specifications and conditions of use for detection : www.securlite.com (NOT0420)							
Length L (mm)	CCT (K)	Power (W)	Power in standby (W)	Power factor	Luminaire output (lm)	Luminaire efficacy (lm/W)	Reference
1066	3000	10	<0,50	0,77	800	80	56081316
1066	4000	10	<0,50	0,77	850	85	56081416
1066	3000	15	<0,50	0,80	1350	90	56021316
1066	4000	15	<0,50	0,80	1400	93	56021416
1066	3000	27	<0,50	0,90	2600	96	56031316
1066	4000	27	<0,50	0,90	2700	100	56031416
1346	3000	20	<0,50	0,90	1900	95	56041316
1346	4000	20	<0,50	0,90	1950	98	56041416
1346	3000	38	<0,50	0,95	3650	96	56051316
1346	4000	38	<0,50	0,95	3800	100	56051416

Technical and dimensional data are given for information only and may be modified at any time without notice. Please enquire before ordering.

Technical data and order codes

SYSTEO S OPALESCENT - DALI dimmable + switch dimming							
Technical specifications and conditions of use for dali : www.securlite.com (NOT0880)							
Length L (mm)	CCT (K)	Power (W)	Power in standby (W)	Power factor	Luminaire output (lm)	Luminaire efficacy (lm/W)	Reference
1066	3000	9,0	<0,20	0,75	800	89	56081321
1066	4000	9,0	<0,20	0,75	850	97	56081421
1066	3000	14	<0,20	0,85	1350	96	56021321
1066	4000	14	<0,20	0,85	1400	100	56021421
1066	3000	26	<0,20	0,95	2600	100	56031321
1066	4000	26	<0,20	0,95	2700	104	56031421
1346	3000	19	<0,20	0,90	1900	100	56041321
1346	4000	19	<0,20	0,90	1950	103	56041421
1346	3000	37	<0,20	0,95	3650	99	56051321
1346	4000	37	<0,20	0,95	3800	103	56051421

SYSTEO S OPALESCENT – with Pro detection + radio-control + extinction warning							
Technical specifications and conditions of use for detection : www.securlite.com (NOT0420)							
Length L (mm)	CCT (K)	Power (W)	Power in standby (W)	Power factor	Luminaire output (lm)	Luminaire efficacy (lm/W)	Reference
1066	3000	10	<0,50	0,77	800	80	56081344
1066	4000	10	<0,50	0,77	850	85	56081444
1066	3000	15	<0,50	0,85	1350	90	56021344
1066	4000	15	<0,50	0,85	1400	93	56021444
1066	3000	27	<0,50	0,95	2600	96	56031344
1066	4000	27	<0,50	0,95	2700	100	56031444
1346	3000	20	<0,50	0,90	1900	95	56041344
1346	4000	20	<0,50	0,90	1950	98	56041444
1346	3000	38	<0,50	0,95	3650	96	56051344
1346	4000	38	<0,50	0,95	3800	100	56051444

SYSTEO S OPALESCENT – with Pro detection + radio-control + standby warning							
Technical specifications and conditions of use for detection : www.securlite.com (NOT0420)							
Length L (mm)	CCT (K)	Power (W)	Power in standby (W)	Power factor	Luminaire output (lm)	Luminaire efficacy (lm/W)	Reference
1066	3000	10	3,2	0,77	800	80	56081345
1066	4000	10	3,2	0,77	850	85	56081445
1066	3000	15	3,6	0,85	1350	90	56021345
1066	4000	15	3,6	0,85	1400	93	56021445
1066	3000	27	4,7	0,95	2600	96	56031345
1066	4000	27	4,7	0,95	2700	100	56031445
1346	3000	20	4,0	0,90	1900	95	56041345
1346	4000	20	4,0	0,90	1950	98	56041445
1346	3000	38	5,5	0,95	3650	96	56051345
1346	4000	38	5,5	0,95	3800	100	56051445

(1) : eco mode: operating mode with luminous flux reduced to 10% of nominal.

Operating instruction : www.securlite.com (NOT0890)