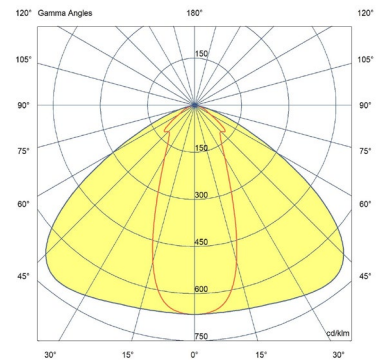




SYSTEO SLIM CLEAR + 60° OPTICS

Features

- Input voltage : 220-240V AC, 50/60 Hz
- Input voltage range : 198-264 V AC
- Electrical protection class : 2
- IP : 65
- IK : 11+ / 80 joules
- Incandescent wire test 850° / 30 s
- Rated ambient operating temperature : 25° C
- Operating temperature range : -20 °C ... +35 °C
- VK 45 (wall and ceiling-mounted) / 22 (suspended)
- IRC : 80
- SDCM : 3
- Photobiological hazard : RG0
- Energy class C light source
- Lumen maintenance : L80B10 / over 72 000 h
- Lumen maintenance : L90B50 / 50 000 h
- Number of detector switching cycles: 1,000,000 at maximum load.
- Repairable luminaire. Spare parts available on demand
- 5-year guarantee, details of conditions available on securlite.com



Applications

- Architectural luminaire with 60° optics for indoor and outdoor environments subject to moderate vandalism
- Street lighting luminaire for optical installation towards the ground
- Conditions of use :
 - UGR and GR to be confirmed for each lighting project
 - Version with detection : not recommended for outdoor use
 - Installation positions : refer to installation instructions

Material

- Aluminium alloy body
- Metal alloy end caps and covers
- Clear polycarbonate diffuser + 60° flow control optics
- Plug-in terminal block
- Gasket made of SEBS
- RoHS : the products contain no prohibited substances as defined in the European Directive 2011/65/UE and amendments

Colours / Finish

- Two-layer corrosion protection
- Standard colour : Grey RAL7016 fine texture

Wiring

- Supply terminal block : connector conductors
 - 1,5mm² (3G1.5mm² or 5G1.5mm² cable)
 - 2.5mm² (3G2.5mm² cable only)
- 1 input at one end via cable gland IP67 ISO M20 for cable Ø 6 to 12 mm max
- Not apparent quick power connection

Screws

- Locking of the light unit with two stainless steel safety screws Torx + Pin (M5 – Tx25)
- Locking of the end caps with two stainless steel security screws Torx + Pin (M4 – Tx20)

Facilities available

- Through wiring - (ex : 57xxxxxx**9101**)
- UV reinforced varnish or anti-graffiti – (ex : 57xxxxxx**9601**)
- Lateral cable entry - (ex : 57xxxxxx**9805**)
- Lateral cable entries with through-wiring – (ex : 57xxxxxx**9806**)

Tools *(to be ordered separately)*

- Head insert Torx + Pin (screw M4 – TX20) - code : **98000036**
- Head insert Torx + Pin (screw M5 – TX25) - code : **98000012**
- Screwdriver insert holder – code : **98000005**
- Remote control for radio controlled version – code : **98000010**

Accessories *(to be ordered separately)*

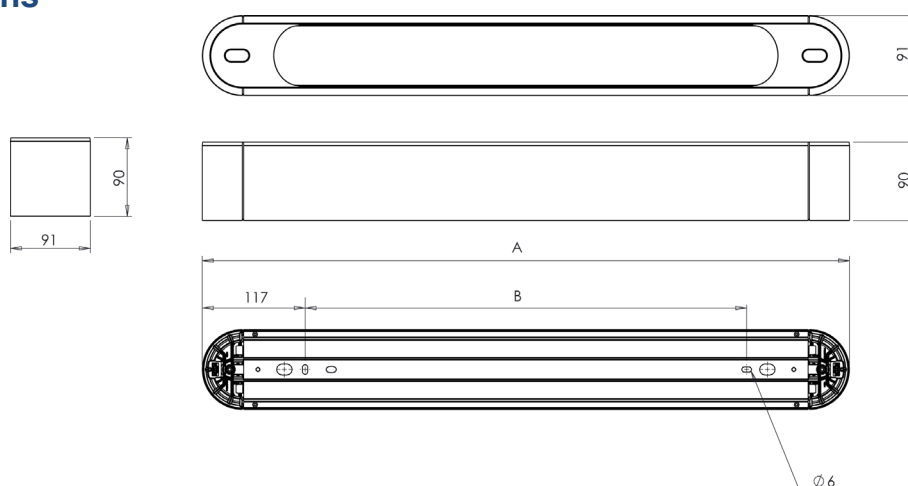
- Suspended mounting kit : **98540002**

Approvals

Certificates available :

- CE certificate (as per EN60598-1 / 2-1 / 2-3)
- Incandescent wire test certificate (depending on product)

Dimensions



A (mm)	B wall and ceiling-mounted version (mm)	B suspended version (mm)	KG
1017	783	779	5,65 Kg
1297	1063	1059	6,85 Kg

Technical and dimensional data are given for information only and may be modified at any time without notice. Please enquire before ordering.

Technical data sheet

SYSTEO SLIM CLEAR + 60° OPTICS – FT0327

Technical data and order codes

SYSTEO SLIM CLEAR + 60° OPTICS							
Length L (mm)	CCT (K)	Power (W)	Power in standby (W)	Power factor	Luminaire output (lm)	Luminaire efficacy (lm/W)	Reference
1017	3000	9,1	-	0,75	1000	111	57191300
1017	4000	9,1	-	0,75	1050	117	57191400
1017	3000	14	-	0,85	1650	118	57161300
1017	4000	14	-	0,85	1750	125	57161400
1297	3000	19	-	0,90	2350	124	57171300
1297	4000	19	-	0,90	2450	129	57171400

SYSTEO SLIM CLEAR + 60° OPTICS – slave version + extinction warning							
Length L (mm)	CCT (K)	Power (W)	Power in standby (W)	Power factor	Luminaire output (lm)	Luminaire efficacy (lm/W)	Reference
1017	3000	9,0	<0,20	0,75	1000	111	57191304
1017	4000	9,0	<0,20	0,75	1050	117	57191404
1017	3000	14	<0,20	0,85	1650	118	57161304
1017	4000	14	<0,20	0,85	1750	125	57161404
1297	3000	19	<0,20	0,90	2350	124	57171304
1297	4000	19	<0,20	0,90	2450	129	57171404

SYSTEO SLIM CLEAR + 60° OPTICS – slave version + standby warning							
Length L (mm)	CCT (K)	Power (W)	Power in eco mode ⁽¹⁾ (W)	Power factor	Luminaire output (lm)	Luminaire efficacy (lm/W)	Reference
1017	3000	9,0	2,4	0,75	1000	111	57191305
1017	4000	9,0	2,4	0,75	1050	117	57191405
1017	3000	14	3,0	0,85	1650	118	57161305
1017	4000	14	3,0	0,85	1750	125	57161405
1297	3000	19	3,2	0,90	2350	124	57171305
1297	4000	19	3,2	0,90	2450	129	57171405

SYSTEO SLIM CLEAR + 60° OPTICS – with Pro detection + radio-control							
Technical specifications and conditions of use for detection : www.securlite.com (NOT0420)							
Length L (mm)	CCT (K)	Power (W)	Power in standby (W)	Power factor	Luminaire output (lm)	Luminaire efficacy (lm/W)	Reference
1017	3000	10	<0,50	0,77	1000	100	57191316
1017	4000	10	<0,50	0,77	1050	105	57191416
1017	3000	15	<0,50	0,85	1650	110	57161316
1017	4000	15	<0,50	0,85	1750	117	57161416
1297	3000	20	<0,50	0,90	2350	118	57171316
1297	4000	20	<0,50	0,90	2450	123	57171416

SYSTEO SLIM CLEAR + 60° OPTICS - DALI dimmable + switch dimming							
Technical specifications and conditions of use for dali : www.securlite.com (NOT0880)							
Length L (mm)	CCT (K)	Power (W)	Power in standby (W)	Power factor	Luminaire output (lm)	Luminaire efficacy (lm/W)	Reference
1017	3000	9,0	<0,20	0,75	1000	111	57191321
1017	4000	9,0	<0,20	0,75	1050	117	57191421
1017	3000	14	<0,20	0,85	1650	118	57161321
1017	4000	14	<0,20	0,85	1750	125	57161421
1297	3000	19	<0,20	0,90	2350	124	57171321
1297	4000	19	<0,20	0,90	2450	129	57171421

SYSTEO SLIM CLEAR + 60° OPTICS – with Pro detection + radio-control + extinction warning							
Technical specifications and conditions of use for detection : www.securlite.com (NOT0420)							
Length L (mm)	CCT (K)	Power (W)	Power in standby (W)	Power factor	Luminaire output (lm)	Luminaire efficacy (lm/W)	Reference
1017	3000	10	<0,50	0,77	1000	100	57191344
1017	4000	10	<0,50	0,77	1050	105	57191444
1017	3000	15	<0,50	0,85	1650	110	57161344
1017	4000	15	<0,50	0,85	1750	117	57161444
1297	3000	20	<0,50	0,90	2350	118	57171344
1297	4000	20	<0,50	0,90	2450	123	57171444

Technical and dimensional data are given for information only and may be modified at any time without notice. Please enquire before ordering.

Technical data sheet

SYSTEO SLIM CLEAR + 60° OPTICS – FT0327

Technical data and order codes

SYSTEO SLIM CLEAR + 60° OPTICS – with Pro detection + radio-control + standby warning							
Technical specifications and conditions of use for detection : www.securlite.com (NOT0420)							
Length L (mm)	CCT (K)	Power (W)	Power in eco mode ⁽¹⁾ (W)	Power factor	Luminaire output (lm)	Luminaire efficacy (lm/W)	Reference
1017	3000	10	3,2	0,77	1000	100	57191345
1017	4000	10	3,2	0,77	1050	105	57191445
1017	3000	15	3,6	0,85	1650	110	57161345
1017	4000	15	3,6	0,85	1750	117	57161445
1297	3000	20	4,0	0,90	2350	118	57171345
1297	4000	20	4,0	0,90	2450	123	57171445

(1) : eco mode: operating mode with luminous flux reduced to 10% of nominal.

Operating instruction : www.securlite.com (NOT0890)