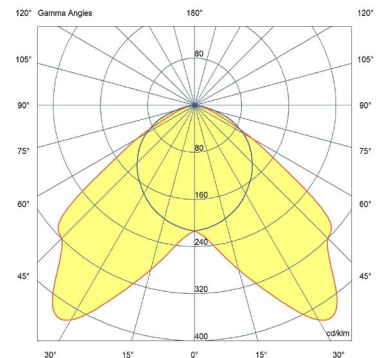


SYSTEO SLIM CLEAR + BATWING OPTICS

Features

- Input voltage : 220-240V AC, 50/60 Hz
- Input voltage range : 198-264 V AC
- Electrical protection class : 2
- IP : 65
- IK : 11+ / 80 joules
- Incandescent wire test 850° / 30 s
- Rated ambient operating temperature : 25° C
- Operating temperature range : -20 °C ... +35 °C
- VK 45 (wall and ceiling-mounted) / 22 (suspended)
- IRC : 80
- SDCM : 3
- Photobiological hazard : RG0
- Energy class C light source
- Lumen maintenance : L80B10 / over 72 000 h
- Lumen maintenance : L90B50 / 50 000 h
- Number of detector switching cycles: 1,000,000 at maximum load.
- Repairable luminaire. Spare parts available on demand
- 5-year guarantee, details of conditions available on securlite.com



Applications

- Architectural luminaire with batwing optics for indoor and outdoor environments subject to moderate vandalism
- Street lighting luminaire for optical installation towards the ground
- Conditions of use :
 - UGR and GR to be confirmed for each lighting project
 - Version with detection : not recommended for outdoor use
 - Installation positions : refer to installation instructions

Material

- Aluminium alloy body
- Metal alloy end caps and covers
- Clear polycarbonate diffuser + batwing flow control optics
- Plug-in terminal block
- Gasket made of SEBS
- RoHS : the products contain no prohibited substances as defined in the European Directive 2011/65/UE and amendments

Colours / Finish

- Two-layer corrosion protection
- Standard colour : Grey RAL7016 fine texture

Wiring

- Supply terminal block : connector conductors
 - 1,5mm² (3G1.5mm² or 5G1.5mm² cable)
 - 2.5mm² (3G2.5mm² cable only)
- 1 input at one end via cable gland IP67 ISO M20 for cable Ø 6 to 12 mm max
- Not apparent quick power connection

Screws

- Locking of the light unit with two stainless steel safety screws Torx + Pin (M5 – Tx25)
- Locking of the end caps with two stainless steel security screws Torx + Pin (M4 – Tx20)

Facilities available

- Through wiring - (ex : 57xxxxxx**9101**)
- UV reinforced varnish or anti-graffiti – (ex : 57xxxxxx**9601**)
- Lateral cable entry - (ex : 57xxxxxx**9805**)
- Lateral cable entries with through-wiring – (ex : 57xxxxxx**9806**)

Tools *(to be ordered separately)*

- Head insert Torx + Pin (screw M4 – TX20) - code : **98000036**
- Head insert Torx + Pin (screw M5 – TX25) - code : **98000012**
- Screwdriver insert holder – code : **98000005**
- Remote control for radio controlled version – code : **98000010**

Accessories *(to be ordered separately)*

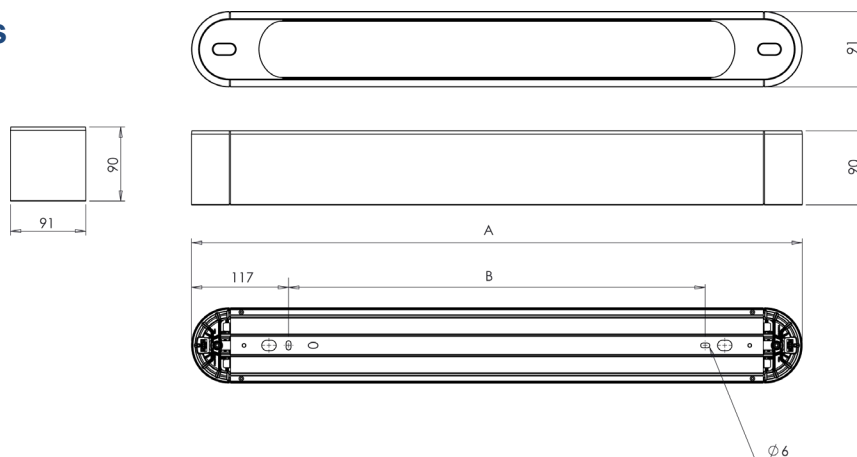
- Suspended mounting kit : **98540002**

Approvals

Certificates available :

- CE certificate (as per EN60598-1 / 2-1 / 2-3)
- Incandescent wire test certificate (depending on product)

Dimensions



A (mm)	B wall and ceiling-mounted version (mm)	B suspended version (mm)	KG
1017	783	779	5,65 Kg
1297	1063	1059	6,85 Kg

Technical and dimensional data are given for information only and may be modified at any time without notice. Please enquire before ordering. 2

11/04/2024

Technical data and order codes

SYSTEO SLIM CLEAR + BATWING OPTICS							
Length L (mm)	CCT (K)	Power (W)	Power in standby (W)	Power factor	Luminaire output (lm)	Luminaire efficacy (lm/W)	Reference
1017	3000	9,1	-	0,75	1000	111	57291300
1017	4000	9,1	-	0,75	1050	117	57291400
1017	3000	14	-	0,85	1600	114	57261300
1017	4000	14	-	0,85	1700	121	57261400
1297	3000	19	-	0,90	2250	124	57271300
1297	4000	19	-	0,90	2350	129	57271400

SYSTEO SLIM CLEAR + BATWING OPTICS – slave version + extinction warning							
Length L (mm)	CCT (K)	Power (W)	Power in standby (W)	Power factor	Luminaire output (lm)	Luminaire efficacy (lm/W)	Reference
1017	3000	9,0	<0,20	0,75	1000	111	57291304
1017	4000	9,0	<0,20	0,75	1050	117	57291404
1017	3000	14	<0,20	0,85	1600	114	57261304
1017	4000	14	<0,20	0,85	1700	121	57261404
1297	3000	19	<0,20	0,90	2250	124	57271304
1297	4000	19	<0,20	0,90	2350	129	57271404

SYSTEO SLIM CLEAR + BATWING OPTICS – slave version + standby warning							
Length L (mm)	CCT (K)	Power (W)	Power in eco mode ⁽¹⁾ (W)	Power factor	Luminaire output (lm)	Luminaire efficacy (lm/W)	Reference
1017	3000	9,0	2,4	0,75	1000	111	57291305
1017	4000	9,0	2,4	0,75	1050	117	57291405
1017	3000	14	3,0	0,85	1600	114	57261305
1017	4000	14	3,0	0,85	1700	121	57261405
1297	3000	19	3,2	0,90	2250	124	57271305
1297	4000	19	3,2	0,90	2350	129	57271405

SYSTEO SLIM CLEAR + BATWING OPTICS – with Pro detection + radio-control							
Technical specifications and conditions of use for detection : www.securlite.com (NOT0420)							
Length L (mm)	CCT (K)	Power (W)	Power in standby (W)	Power factor	Luminaire output (lm)	Luminaire efficacy (lm/W)	Reference
1017	3000	10	<0,50	0,77	1000	100	57291316
1017	4000	10	<0,50	0,77	1050	105	57291416
1017	3000	15	<0,50	0,85	1600	114	57261316
1017	4000	15	<0,50	0,85	1700	121	57261416
1297	3000	20	<0,50	0,90	2250	118	57271316
1297	4000	20	<0,50	0,90	2350	123	57271416

SYSTEO SLIM CLEAR + BATWING OPTICS - DALI dimmable + switch dimming							
Technical specifications and conditions of use for dali : www.securlite.com (NOT0880)							
Length L (mm)	CCT (K)	Power (W)	Power in standby (W)	Power factor	Luminaire output (lm)	Luminaire efficacy (lm/W)	Reference
1017	3000	9,0	<0,20	0,75	1000	111	57291321
1017	4000	9,0	<0,20	0,75	1050	117	57291421
1017	3000	14	<0,20	0,85	1600	114	57261321
1017	4000	14	<0,20	0,85	1700	121	57261421
1297	3000	19	<0,20	0,90	2250	124	57271321
1297	4000	19	<0,20	0,90	2350	129	57271421

SYSTEO SLIM CLEAR + BATWING OPTICS – with Pro detection + radio-control + extinction warning							
Technical specifications and conditions of use for detection : www.securlite.com (NOT0420)							
Length L (mm)	CCT (K)	Power (W)	Power in standby (W)	Power factor	Luminaire output (lm)	Luminaire efficacy (lm/W)	Reference
1017	3000	10	<0,50	0,77	1000	100	57291344
1017	4000	10	<0,50	0,77	1050	105	57291444
1017	3000	15	<0,50	0,85	1600	114	57261344
1017	4000	15	<0,50	0,85	1700	121	57261444
1297	3000	20	<0,50	0,90	2250	118	57271344
1297	4000	20	<0,50	0,90	2350	123	57271444

Technical and dimensional data are given for information only and may be modified at any time without notice. Please enquire before ordering. 3

11/04/2024

Technical data and order codes

SYSTEO SLIM CLEAR + BATWING OPTICS – with Pro detection + radio-control + standby warning							
Technical specifications and conditions of use for detection : www.securlite.com (NOT0420)							
Length L (mm)	CCT (K)	Power (W)	Power in eco mode ⁽¹⁾ (W)	Power factor	Luminaire output (lm)	Luminaire efficacy (lm/W)	Reference
1017	3000	10	3,2	0,77	1000	100	57291345
1017	4000	10	3,2	0,77	1050	105	57291445
1017	3000	15	3,6	0,85	1600	114	57261345
1017	4000	15	3,6	0,85	1700	121	57261445
1297	3000	20	4,0	0,90	2250	118	57271345
1297	4000	20	4,0	0,90	2350	123	57271445

(1) : eco mode: operating mode with luminous flux reduced to 10% of nominal.

Operating instruction : www.securlite.com (NOT0890)