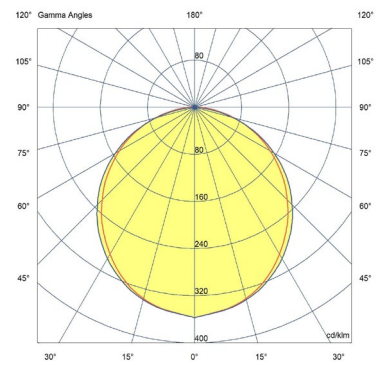


## SYSTEO E OPALESCENT

### Features

- Input voltage : 220-240V AC, 50/60 Hz
- Input voltage range : 198-264 V AC
- Electrical protection class : 2
- IP : 65
- IK : 11+ / 80 joules
- Incandescent wire test 850° / 30 s
- Rated ambient operating temperature : 25° C
- Operating temperature range : -20 °C ... +35 °C
- VK 45 (wall and ceiling-mounted)
- IRC : 80
- SDCM : 3
- Photobiological hazard : RG0
- Energy class C light source
- Lumen maintenance : L80B10 / over 72 000 h
- Lumen maintenance : L90B50 / 50 000 h
- Number of detector switching cycles: 1,000,000 at maximum load.
- Repairable luminaire. Spare parts available on demand
- 5-year guarantee, details of conditions available on [securlite.com](http://securlite.com)



### Applications

- Architectural luminaire for indoor and outdoor environments subject to moderate vandalism
- Street lighting luminaire in surface mounted version
- Conditions of use :
  - Installation positions : refer to installation instructions
  - Version with detection : not recommended for outdoor use

### Material

- Aluminium alloy body
  - Metal alloy end caps and covers
  - Opalescent polycarbonate diffuser
  - Plug-in terminal block
  - Gasket made of SEBS
- RoHS : the products contain no prohibited substances as defined in the European Directive 2011/65/UE and amendments

### Colours / Finish

- Two-layer corrosion protection
- Standard colour : Grey RAL7016 fine texture

## Wiring

- Supply terminal block : connector conductors
  - 1,5mm<sup>2</sup> (3G1.5mm<sup>2</sup> or 5G1.5mm<sup>2</sup> cable)
  - 2.5mm<sup>2</sup> (3G2.5mm<sup>2</sup> cable only)
- 1 input at one end via cable gland IP67 ISO M20 for cable Ø 6 to 12 mm max
- Not apparent quick power connection

## Screws

- Locking of the light unit with two stainless steel safety screws Torx + Pin (M5 – Tx25)
- Locking of the end caps with two stainless steel security screws Torx + Pin (M4 – Tx20)

## Facilities available

- Through wiring - (ex : 58xxxxxx**9101**)
- UV reinforced varnish or anti-graffiti – (ex : 58xxxxxx**9601**)
- Lareral cable entry - (ex : 58xxxxxx**9805**)
- Lateral cable entries with through-wiring – (ex : 58xxxxxx**9806**)

## Tools *(to be ordered separatly)*

- Head insert Torx + Pin (screw M4 – TX20) - code : **98000036**
- Head insert Torx + Pin (screw M5 – TX25) - code : **98000012**
- Screwdriver insert holder – code : **98000005**
- Remote control for radio controlled version – code : **98000010**

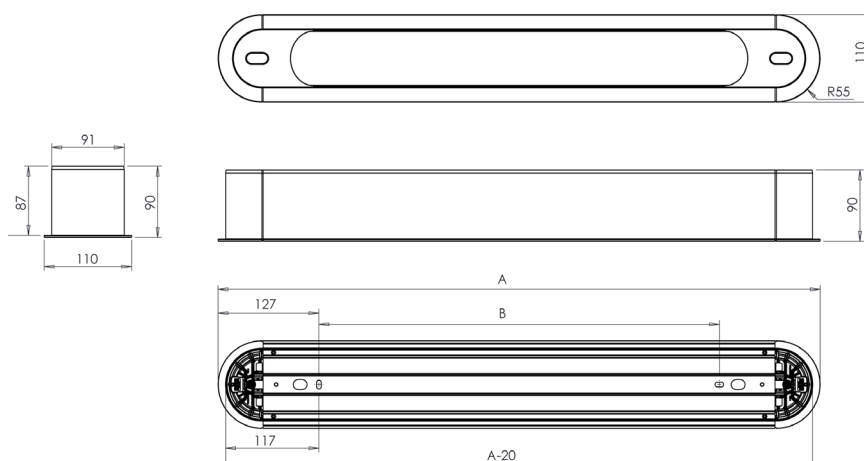
## Approvals


Certificates available :

- CE certificate (as per EN60598-1 / 2-1 / 2-3)

Incandescent wire test certificate (depending on product)

## Dimensions



Version	Lenght A (mm)	Mounting distance B (mm)	 KG
Unit 891	1036	783	5.75 Kg
Unit 1171	1316	1063	7.00 Kg

Technical and dimensional data are given for information only and may be modified at any time without notice. Please enquire before ordering.

### Technical data and order codes

SYSTEO E OPALESCENT							
Length L (mm)	CCT (K)	Power (W)	Power in standby (W)	Power factor	Luminaire output (lm)	Luminaire efficacy (lm/W)	Reference
1066	3000	3000	9,1	-	0,75	800	<b>58081300</b>
1066	4000	4000	9,1	-	0,75	850	<b>58081400</b>
1036	3000	3000	14	-	0,85	1350	<b>58021300</b>
1036	4000	4000	14	-	0,85	1400	<b>58021400</b>
1036	3000	3000	26	-	0,90	2600	<b>58031300</b>
1036	4000	4000	26	-	0,90	2700	<b>58031400</b>
1316	3000	3000	19	-	0,90	1900	<b>58041300</b>
1316	4000	4000	19	-	0,90	1950	<b>58041400</b>
1316	3000	3000	37	-	0,95	3650	<b>58051300</b>
1316	4000	4000	37	-	0,95	3800	<b>58051400</b>

SYSTEO E OPALESCENT – slave version + extinction warning							
Length L (mm)	CCT (K)	Power (W)	Power in standby (W)	Power factor	Luminaire output (lm)	Luminaire efficacy (lm/W)	Reference
1066	3000	9,0	<0,20	0,75	800	89	<b>58081304</b>
1066	4000	9,0	<0,20	0,75	850	97	<b>58081404</b>
1036	3000	14	<0,20	0,85	1350	96	<b>58021304</b>
1036	4000	14	<0,20	0,85	1400	100	<b>58021404</b>
1036	3000	26	<0,20	0,95	2600	100	<b>58031304</b>
1036	4000	26	<0,20	0,95	2700	104	<b>58031404</b>
1316	3000	19	<0,20	0,90	1900	100	<b>58041304</b>
1316	4000	19	<0,20	0,90	1950	103	<b>58041404</b>
1316	3000	37	<0,20	0,95	3650	99	<b>58051304</b>
1316	4000	37	<0,20	0,95	3800	103	<b>58051404</b>

SYSTEO E OPALESCENT – slave version + standby warning							
Length L (mm)	CCT (K)	Power (W)	Power in eco mode <sup>(1)</sup> (W)	Power factor	Luminaire output (lm)	Luminaire efficacy (lm/W)	Reference
1066	3000	9,0	2,4	0,75	800	89	<b>58081305</b>
1066	4000	9,0	2,4	0,75	850	97	<b>58081405</b>
1036	3000	14	2,8	0,85	1350	96	<b>58021305</b>
1036	4000	14	2,8	0,85	1400	100	<b>58021405</b>
1036	3000	26	3,9	0,95	2600	100	<b>58031305</b>
1036	4000	26	3,9	0,95	2700	104	<b>58031405</b>
1316	3000	19	3,2	0,90	1900	100	<b>58041305</b>
1316	4000	19	3,2	0,90	1950	103	<b>58041405</b>
1316	3000	37	4,7	0,95	3650	99	<b>58051305</b>
1316	4000	37	4,7	0,95	3800	103	<b>58051405</b>

SYSTEO E OPALESCENT – with Pro detection + radio-control							
Technical specifications and conditions of use for detection : <a href="http://www.securlite.com">www.securlite.com</a> (NOT0420)							
Length L (mm)	CCT (K)	Power (W)	Power in standby (W)	Power factor	Luminaire output (lm)	Luminaire efficacy (lm/W)	Reference
1066	3000	10	<0,50	0,77	800	80	<b>58081316</b>
1066	4000	10	<0,50	0,77	850	85	<b>58081416</b>
1036	3000	15	<0,50	0,80	1350	90	<b>58021316</b>
1036	4000	15	<0,50	0,80	1400	93	<b>58021416</b>
1036	3000	27	<0,50	0,90	2600	96	<b>58031316</b>
1036	4000	27	<0,50	0,90	2700	100	<b>58031416</b>
1316	3000	20	<0,50	0,90	1900	95	<b>58041316</b>
1316	4000	20	<0,50	0,90	1950	98	<b>58041416</b>
1316	3000	38	<0,50	0,95	3650	96	<b>58051316</b>
1316	4000	38	<0,50	0,95	3800	100	<b>58051416</b>

Technical and dimensional data are given for information only and may be modified at any time without notice. Please enquire before ordering.

## Technical data and order codes

SYSTEO E OPALESCENT - DALI dimmable + switch dimming Technical specifications and conditions of use for dali : <a href="http://www.securlite.com">www.securlite.com</a> (NOT0880)							
Length L (mm)	CCT (K)	Power (W)	Power in standby (W)	Power factor	Luminaire output (lm)	Luminaire efficacy (lm/W)	Reference
1066	3000	9	<0,20	0,75	800	89	<b>58081321</b>
1066	4000	9	<0,20	0,75	850	97	<b>58081421</b>
1036	3000	14	<0,20	0,85	1350	96	<b>58021321</b>
1036	4000	14	<0,20	0,85	1400	100	<b>58021421</b>
1036	3000	26	<0,20	0,95	2600	100	<b>58031321</b>
1036	4000	26	<0,20	0,95	2700	104	<b>58031421</b>
1316	3000	19	<0,20	0,90	1900	100	<b>58041321</b>
1316	4000	19	<0,20	0,90	1950	103	<b>58041421</b>
1316	3000	37	<0,20	0,95	3650	99	<b>58051321</b>
1316	4000	37	<0,20	0,95	3800	103	<b>58051421</b>

SYSTEO E OPALESCENT – with Pro detection + radio-control + extinction warning Technical specifications and conditions of use for detection : <a href="http://www.securlite.com">www.securlite.com</a> (NOT0420)							
Length L (mm)	CCT (K)	Power (W)	Power in standby (W)	Power factor	Luminaire output (lm)	Luminaire efficacy (lm/W)	Reference
1066	3000	10	<0,50	0,77	800	80	<b>58081344</b>
1066	4000	10	<0,50	0,77	850	85	<b>58081444</b>
1036	3000	15	<0,50	0,85	1350	90	<b>58021344</b>
1036	4000	15	<0,50	0,85	1400	93	<b>58021444</b>
1036	3000	27	<0,50	0,95	2600	96	<b>58031344</b>
1036	4000	27	<0,50	0,95	2700	100	<b>58031444</b>
1316	3000	20	<0,50	0,90	1900	95	<b>58041344</b>
1316	4000	20	<0,50	0,90	1950	98	<b>58041444</b>
1316	3000	38	<0,50	0,95	3650	96	<b>58051344</b>
1316	4000	38	<0,50	0,95	3800	100	<b>58051444</b>

SYSTEO E OPALESCENT – with Pro detection + radio-control + standby warning Technical specifications and conditions of use for detection : <a href="http://www.securlite.com">www.securlite.com</a> (NOT0420)							
Length L (mm)	CCT (K)	Power (W)	Power in eco mode <sup>(1)</sup> (W)	Power factor	Luminaire output (lm)	Luminaire efficacy (lm/W)	Reference
1066	3000	10	3,2	0,77	800	80	<b>58081345</b>
1066	4000	10	3,2	0,77	850	85	<b>58081445</b>
1036	3000	15	3,6	0,85	1350	90	<b>58021345</b>
1036	4000	15	3,6	0,85	1400	93	<b>58021445</b>
1036	3000	27	4,7	0,95	2600	96	<b>58031345</b>
1036	4000	27	4,7	0,95	2700	100	<b>58031445</b>
1316	3000	20	4,0	0,90	1900	95	<b>58041345</b>
1316	4000	20	4,0	0,90	1950	98	<b>58041445</b>
1316	3000	38	5,5	0,95	3650	96	<b>58051345</b>
1316	4000	38	5,5	0,95	3800	100	<b>58051445</b>

(1) : eco mode: operating mode with luminous flux reduced to 10% of nominal.

**Operating instruction** : [www.securlite.com](http://www.securlite.com) (NOT0890)