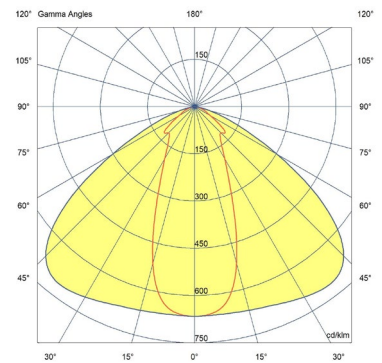


## SYSTEO E CLEAR + 60° OPTICS

### Features

- Input voltage : 220-240V AC, 50/60 Hz
- Input voltage range : 198-264 V AC
- Electrical protection class : 2
- IP : 65
- IK : 11+ / 80 joules
- Incandescent wire test 850° / 30 s
- Rated ambient operating temperature : 25° C
- Operating temperature range : -20 °C ... +35 °C
- VK 45 (wall and ceiling-mounted)
- IRC : 80
- SDCM : 3
- Photobiological hazard : RG0
- Energy class C light source
- Lumen maintenance : L80B10 / over 72 000 h
- Lumen maintenance : L90B50 / 50 000 h
- Number of detector switching cycles: 1,000,000 at maximum load.
- Repairable luminaire. Spare parts available on demand
- 5-year guarantee, details of conditions available on [securlite.com](http://securlite.com)



### Applications

- Architectural luminaire with 60° optics for indoor and outdoor environments subject to moderate vandalism
- Street lighting luminaire in surface mounted version
- Conditions of use :
  - UGR and GR to be confirmed for each lighting project
  - Version with detection : not recommended for outdoor use
  - Installation positions : refer to installation instructions

### Material

- Aluminium alloy body
  - Metal alloy end caps and covers
  - Clear polycarbonate diffuser + 60° flow control optics
  - Plug-in terminal block
  - Gasket made of SEBS
- RoHS : the products contain no prohibited substances as defined in the European Directive 2011/65/UE and amendments

### Colours / Finish

- Two-layer corrosion protection
- Standard colour : Grey RAL7016 fine texture

## Wiring

- Supply terminal block : connector conductors
  - 1,5mm<sup>2</sup> (3G1.5mm<sup>2</sup> or 5G1.5mm<sup>2</sup> cable)
  - 2.5mm<sup>2</sup> (3G2.5mm<sup>2</sup> cable only)
- 1 input at one end via cable gland IP67 ISO M20 for cable Ø 6 to 12 mm max
- Not apparent quick power connection

## Screws

- Locking of the light unit with two stainless steel safety screws Torx + Pin (M5 – Tx25)
- Locking of the end caps with two stainless steel security screws Torx + Pin (M4 – Tx20)

## Facilities available

- Through wiring - (ex : 58xxxxxx**9101**)
- UV reinforced varnish or anti-graffiti – (ex : 58xxxxxx**9601**)
- Lareral cable entry - (ex : 58xxxxxx**9805**)
- Lateral cable entries with through-wiring – (ex : 58xxxxxx**9806**)

## Tools (to be ordered separatly)

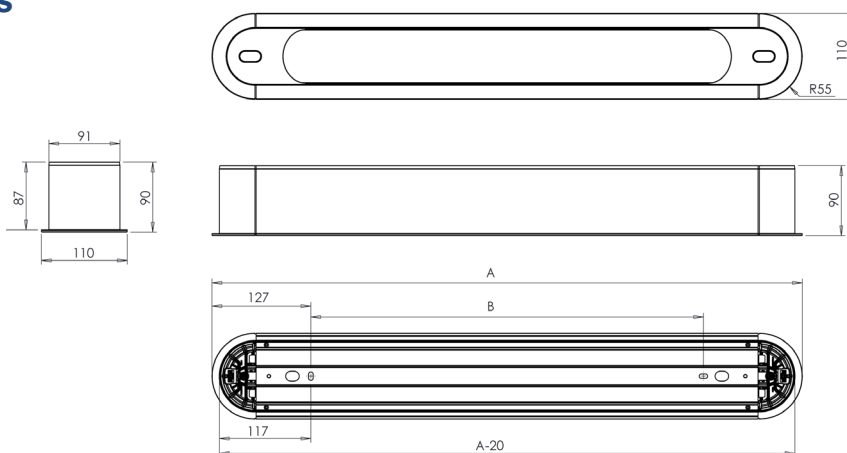
- Head insert Torx + Pin (screw M4 – TX20) - code : **98000036**
- Head insert Torx + Pin (screw M5 – TX25) - code : **98000012**
- Screwdriver insert holder – code : **98000005**
- Remote control for radio controlled version – code : **98000010**

## Approvals

Certificates available :

- CE certificate (as per EN60598-1 / 2-1 / 2-3)
- Incandescent wire test certificate (depending on product)

## Dimensions



A (mm)	Mounting distance B (mm)	B suspended version (mm)	KG
1036	783	779	5,75 Kg
1316	1063	1059	7,00 Kg

Technical and dimensional data are given for information only and may be modified at any time without notice. Please enquire before ordering.

# Technical data sheet

## SYSTEO E CLEAR + 60° OPTICS – FT0334

### Technical data and order codes

SYSTEO E CLEAR + 60° OPTICS							
Length L (mm)	CCT (K)	Power (W)	Power in standby (W)	Power factor	Luminaire output (lm)	Luminaire efficacy (lm/W)	Reference
1036	3000	9,1	-	0,75	1000	111	<b>58191300</b>
1036	4000	9,1	-	0,75	1050	117	<b>58191400</b>
1036	3000	14	-	0,85	1650	118	<b>58161300</b>
1036	4000	14	-	0,85	1750	125	<b>58161400</b>
1316	3000	19	-	0,90	2350	124	<b>58171300</b>
1316	4000	19	-	0,90	2450	129	<b>58171400</b>

SYSTEO E CLEAR + 60° OPTICS – slave version + extinction warning							
Length L (mm)	CCT (K)	Power (W)	Power in standby (W)	Power factor	Luminaire output (lm)	Luminaire efficacy (lm/W)	Reference
1036	3000	9,0	<0,20	0,75	1000	111	<b>58191304</b>
1036	4000	9,0	<0,20	0,75	1050	117	<b>58191404</b>
1036	3000	14	<0,20	0,85	1650	118	<b>58161304</b>
1036	4000	14	<0,20	0,85	1750	125	<b>58161404</b>
1316	3000	19	<0,20	0,90	2350	124	<b>58171304</b>
1316	4000	19	<0,20	0,90	2450	129	<b>58171404</b>

SYSTEO E CLEAR + 60° OPTICS – slave version + standby warning							
Length L (mm)	CCT (K)	Power (W)	Power in eco mode <sup>(1)</sup> (W)	Power factor	Luminaire output (lm)	Luminaire efficacy (lm/W)	Reference
1036	3000	9,0	2,4	0,75	1000	111	<b>58191305</b>
1036	4000	9,0	2,4	0,75	1050	117	<b>58191405</b>
1036	3000	14	3,0	0,85	1650	118	<b>58161305</b>
1036	4000	14	3,0	0,85	1750	125	<b>58161405</b>
1316	3000	19	3,2	0,90	2350	124	<b>58171305</b>
1316	4000	19	3,2	0,90	2450	129	<b>58171405</b>

SYSTEO E CLEAR + 60° OPTICS – with Pro detection + radio-control							
Technical specifications and conditions of use for detection : <a href="http://www.securlite.com">www.securlite.com</a> (NOT0420)							
Length L (mm)	CCT (K)	Power (W)	Power in standby (W)	Power factor	Luminaire output (lm)	Luminaire efficacy (lm/W)	Reference
1036	3000	10	<0,50	0,77	1000	100	<b>58191316</b>
1036	4000	10	<0,50	0,77	1050	105	<b>58191416</b>
1036	3000	15	<0,50	0,85	1650	110	<b>58161316</b>
1036	4000	15	<0,50	0,85	1750	117	<b>58161416</b>
1316	3000	20	<0,50	0,90	2350	118	<b>58171316</b>
1316	4000	20	<0,50	0,90	2450	123	<b>58171416</b>

SYSTEO E CLEAR + 60° OPTICS- DALI dimmable + switch dimming							
Technical specifications and conditions of use for dali : <a href="http://www.securlite.com">www.securlite.com</a> (NOT0880)							
Length L (mm)	CCT (K)	Power (W)	Power in standby (W)	Power factor	Luminaire output (lm)	Luminaire efficacy (lm/W)	Reference
1036	3000	9,0	<0,20	0,75	1000	111	<b>58191321</b>
1036	4000	9,0	<0,20	0,75	1050	117	<b>58191421</b>
1036	3000	14	<0,20	0,85	1650	118	<b>58161321</b>
1036	4000	14	<0,20	0,85	1750	125	<b>58161421</b>
1316	3000	19	<0,20	0,90	2350	124	<b>58171321</b>
1316	4000	19	<0,20	0,90	2450	129	<b>58171421</b>

SYSTEO E CLEAR + 60° OPTICS – with Pro detection + radio-control + extinction warning							
Technical specifications and conditions of use for detection : <a href="http://www.securlite.com">www.securlite.com</a> (NOT0420)							
Length L (mm)	CCT (K)	Power (W)	Power in standby (W)	Power factor	Luminaire output (lm)	Luminaire efficacy (lm/W)	Reference
1036	3000	10	<0,50	0,77	1000	100	<b>58191344</b>
1036	4000	10	<0,50	0,77	1050	105	<b>58191444</b>
1036	3000	15	<0,50	0,85	1650	110	<b>58161344</b>
1036	4000	15	<0,50	0,85	1750	117	<b>58161444</b>
1316	3000	20	<0,50	0,90	2350	118	<b>58171344</b>
1316	4000	20	<0,50	0,90	2450	123	<b>58171444</b>

Technical and dimensional data are given for information only and may be modified at any time without notice. Please enquire before ordering.

## Technical data and order codes

SYSTEO E CLEAR + 60° OPTICS – with Pro detection + radio-control + standby warning							
Technical specifications and conditions of use for detection : <a href="http://www.securlite.com">www.securlite.com</a> (NOT0420)							
Length L (mm)	CCT (K)	Power (W)	Power in eco mode <sup>(1)</sup> (W)	Power factor	Luminaire output (lm)	Luminaire efficacy (lm/W)	Reference
1036	3000	10	3,2	0,77	1000	100	<b>58191345</b>
1036	4000	10	3,2	0,77	1050	105	<b>58191445</b>
1036	3000	15	3,6	0,85	1650	110	<b>58161345</b>
1036	4000	15	3,6	0,85	1750	117	<b>58161445</b>
1316	3000	20	4,0	0,90	2350	118	<b>58171345</b>
1316	4000	20	4,0	0,90	2450	123	<b>58171445</b>

(1) : eco mode: operating mode with luminous flux reduced to 10% of nominal.

**Operating instruction :** [www.securlite.com](http://www.securlite.com) (NOT0890)