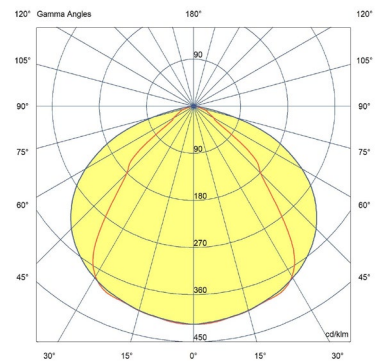


SYSTEO E CLEAR + 90° OPTICS

Features

- Input voltage : 220-240V AC, 50/60 Hz
- Input voltage range : 198-264 V AC
- Electrical protection class : 2
- IP : 65
- IK : 11+ / 80 joules
- Incandescent wire test 850° / 30 s
- Rated ambient operating temperature : 25° C
- Operating temperature range : -20 °C ... +35 °C
- VK 45 (wall and ceiling-mounted)
- IRC : 80
- SDCM : 3
- Photobiological hazard : RG0
- Energy class C light source
- Lumen maintenance : L80B10 / over 72 000 h
- Lumen maintenance : L90B50 / 50 000 h
- Number of detector switching cycles: 1,000,000 at maximum load.
- Repairable luminaire. Spare parts available on demand
- 5-year guarantee, details of conditions available on securlite.com



Applications

- Architectural luminaire with 90° optics for indoor and outdoor environments subject to moderate vandalism
- Street lighting luminaire in surface mounted version
- Conditions of use :
 - UGR and GR to be confirmed for each lighting project
 - Version with detection : not recommended for outdoor use
 - Installation positions : refer to installation instructions

Material

- Aluminium alloy body
 - Metal alloy end caps and covers
 - Clear polycarbonate diffuser + 90° flow control optics
 - Plug-in terminal block
 - Gasket made of SEBS
- RoHS : the products contain no prohibited substances as defined in the European Directive 2011/65/UE and amendments

Colours / Finish

- Two-layer corrosion protection
- Standard colour : Grey RAL7016 fine texture

Wiring

- Supply terminal block : connector conductors

Technical and dimensional data are given for information only and may be modified at any time without notice. Please enquire before ordering.

1

05/01/2024

- 1,5mm² (3G1.5mm² or 5G1.5mm² cable)
- 2.5mm² (3G2.5mm² cable only)
- 1 input at one end via cable gland IP67 ISO M20 for cable Ø 6 to 12 mm max
- Not apparent quick power connection

Screws

- Locking of the light unit with two stainless steel safety screws Torx + Pin (M5 – Tx25)
- Locking of the end caps with two stainless steel security screws Torx + Pin (M4 – Tx20)

Facilities available

- Through wiring - (ex : 58xxxxx**9101**)
- UV reinforced varnish or anti-graffiti – (ex : 58xxxxx**9601**)
- Lateral cable entry - (ex : 58xxxxx**9805**)
- Lateral cable entries with through-wiring – (ex : 58xxxxx**9806**)

Tools *(to be ordered separately)*

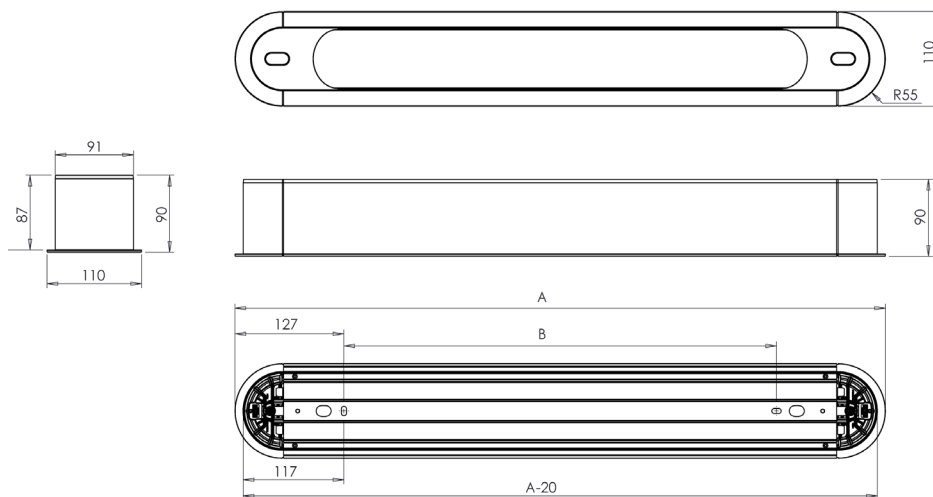
- Head insert Torx + Pin (screw M4 – TX20) - code : **98000036**
- Head insert Torx + Pin (screw M5 – TX25) - code : **98000012**
- Screwdriver insert holder – code : **98000005**
- Remote control for radio controlled version – code : **98000010**


Approvals

Certificates available :

- CE certificate (as per EN60598-1 / 2-1 / 2-3)
- Incandescent wire test certificate (depending on product)

Dimensions



A (mm)	Mounting distance B (mm)	B suspended version (mm)	 Kg
1036	783	779	5,75 Kg
1316	1063	1059	7,00 Kg

Technical and dimensional data are given for information only and may be modified at any time without notice. Please enquire before ordering.

2

05/01/2024

Technical data and order codes

SYSTEO E CLEAR + 90° OPTICS							
Length L (mm)	CCT (K)	Power (W)	Power in standby (W)	Power factor	Luminaire output (lm)	Luminaire efficacy (lm/W)	Reference
1036	3000	9,1	-	0,75	1000	111	58241300
1036	4000	9,1	-	0,75	1050	117	58241400
1036	3000	14	-	0,85	1700	121	58211300
1036	4000	14	-	0,85	1750	125	58211400
1316	3000	19	-	0,90	2350	124	58221300
1316	4000	19	-	0,90	2450	129	58221400

SYSTEO E CLEAR + 90° OPTICS – slave version + extinction warning							
Length L (mm)	CCT (K)	Power (W)	Power in standby (W)	Power factor	Luminaire output (lm)	Luminaire efficacy (lm/W)	Reference
1036	3000	9,0	<0,20	0,75	1000	111	58241304
1036	4000	9,0	<0,20	0,75	1050	117	58241404
1036	3000	14	<0,20	0,85	1700	121	58211304
1036	4000	14	<0,20	0,85	1750	125	58211404
1316	3000	19	<0,20	0,90	2350	124	58221304
1316	4000	19	<0,20	0,90	2450	129	58221404

SYSTEO E CLEAR + 90° OPTICS – slave version + standby warning							
Length L (mm)	CCT (K)	Power (W)	Power in eco mode ⁽¹⁾ (W)	Power factor	Luminaire output (lm)	Luminaire efficacy (lm/W)	Reference
1036	3000	9,0	2,4	0,75	1000	111	58241305
1036	4000	9,0	2,4	0,75	1050	117	58241405
1036	3000	14	3,0	0,85	1700	121	58211305
1036	4000	14	3,0	0,85	1750	125	58211405
1316	3000	19	3,2	0,90	2350	124	58221305
1316	4000	19	3,2	0,90	2450	129	58221405

SYSTEO E CLEAR + 90° OPTICS – with Pro detection + radio-control							
Technical specifications and conditions of use for detection : www.securlite.com (NOT0420)							
Length L (mm)	CCT (K)	Power (W)	Power in standby (W)	Power factor	Luminaire output (lm)	Luminaire efficacy (lm/W)	Reference
1036	3000	10	<0,50	0,77	1000	100	58241316
1036	4000	10	<0,50	0,77	1050	105	58241416
1036	3000	15	<0,50	0,85	1700	121	58211316
1036	4000	15	<0,50	0,85	1750	117	58211416
1316	3000	20	<0,50	0,90	2350	118	58221316
1316	4000	20	<0,50	0,90	2450	123	58221416

SYSTEO E CLEAR + 90° OPTICS - DALI dimmable + switch dimming							
Technical specifications and conditions of use for dali : www.securlite.com (NOT0880)							
Length L (mm)	CCT (K)	Power (W)	Power in standby (W)	Power factor	Luminaire output (lm)	Luminaire efficacy (lm/W)	Reference
1036	3000	9,0	<0,20	0,75	1000	111	58241321
1036	4000	9,0	<0,20	0,75	1050	117	58241421
1036	3000	14	<0,20	0,85	1700	121	58211321
1036	4000	14	<0,20	0,85	1750	125	58211421
1316	3000	19	<0,20	0,90	2350	124	58221321
1316	4000	19	<0,20	0,90	2450	129	58221421

SYSTEO E CLEAR + 90° OPTICS – with Pro detection + radio-control + extinction warning							
Technical specifications and conditions of use for detection : www.securlite.com (NOT0420)							
Length L (mm)	CCT (K)	Power (W)	Power in standby (W)	Power factor	Luminaire output (lm)	Luminaire efficacy (lm/W)	Reference
1036	3000	10	<0,50	0,77	1000	100	58241344
1036	4000	10	<0,50	0,77	1050	105	58241444
1036	3000	15	<0,50	0,85	1700	121	58211344
1036	4000	15	<0,50	0,85	1750	117	58211444

Technical and dimensional data are given for information only and may be modified at any time without notice. Please enquire before ordering.

3

05/01/2024

Technical data sheet

SYSTEO E CLEAR + 90° OPTICS – FT0335

1316	3000	20	<0,50	0,90	2350	118	58221344
1316	4000	20	<0,50	0,90	2450	123	58221444

Technical data and order codes

SYSTEO E CLEAR + 90° OPTICS – with Pro detection + radio-control + standby warning							
Technical specifications and conditions of use for detection : www.securlite.com (NOT0420)							
Length L (mm)	CCT (K)	Power (W)	Power in eco mode ⁽¹⁾ (W)	Power factor	Luminaire output (lm)	Luminaire efficacy (lm/W)	Reference
1036	3000	10	3,2	0,77	1000	100	58241345
1036	4000	10	3,2	0,77	1050	105	58241445
1036	3000	15	3,6	0,85	1700	121	58211345
1036	4000	15	3,6	0,85	1750	117	58211445
1316	3000	20	4,0	0,90	2350	118	58221345
1316	4000	20	4,0	0,90	2450	123	58221445

(1) : eco mode: operating mode with luminous flux reduced to 10% of nominal.

Operating instruction : www.securlite.com (NOT0890)