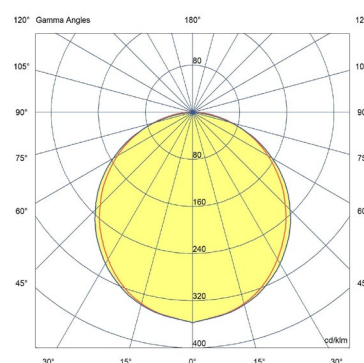


SYSTEO A45 OPALESCENT

Features

- Input voltage : 220-240V AC, 50/60 Hz
- Input voltage range : 198-264 V AC
- Electrical protection class : 2
- IP : 65
- IK : 11+ / 80 joules
- Incandescent wire test 850° / 30 s
- Rated ambient operating temperature : 25° C
- Operating temperature range : -20 °C ... +35 °C
- VK 45
- IRC : 80
- SDCM : 3
- Photobiological hazard : RG0
- Energy class C light source
- Lumen maintenance : L80B10 / over 72 000 h
- Lumen maintenance : L90B50 / 50 000 h
- Number of detector switching cycles: 1,000,000 at maximum load.
- Repairable luminaire. Spare parts available on demand
- 5-year guarantee, details of conditions available on securlite.com



Applications

- Architectural luminaire for indoor and outdoor environments subject to moderate vandalism
- Street lighting luminaire in surface mounted version
- Conditions of use :
 - Installation positions : refer to installation instructions
 - Version with detection : not recommended for outdoor use

Material

- Aluminium alloy body
 - Metal alloy end caps and covers
 - Opalescent polycarbonate diffuser
 - Plug-in terminal block
 - Gasket made of SEBS
- RoHS : the products contain no prohibited substances as defined in the European Directive 2011/65/UE and amendments

Colours / Finish

- Two-layer corrosion protection
- Standard colour : Grey RAL7016 fine texture

Wiring

- Supply terminal block : connector conductors
 - 1,5mm² (3G1.5mm² or 5G1.5mm² cable)
 - 2.5mm² (3G2.5mm² cable only)
- 1 input at one end via cable gland IP67 ISO M20 for cable Ø 6 to 12 mm max
- Not apparent quick power connection

Screws

- Locking of the light unit with two stainless steel safety screws Torx + Pin (M5 – Tx25)
- Locking of the end caps with two stainless steel security screws Torx + Pin (M4 – Tx20)

Facilities available

- Through wiring - (ex : 55xxxxxx**9101**)
- UV reinforced varnish or anti-graffiti – (ex : 55xxxxxx**9601**)
- Right lateral cable entry - (ex : 55xxxxxx**9803**)
- Left lateral cable entry - (ex : 55xxxxxx**9804**)
- Lateral cable entries with through-wiring – (ex : 55xxxxxx**9806**)

Tools (to be ordered separately)

- Head insert Torx + Pin (screw M4 – TX20) - code : **98000036**
- Head insert Torx + Pin (screw M5 – TX25) - code : **98000012**
- Screwdriver insert holder – code : **98000005**
- Remote control for radio controlled version – code : **98000010**

Accessories (to be ordered separately)

- Top cover for surface mounting model length 1066mm – code : **98551002**
- Top cover for surface mounting model length 1346mm – code : **98551003**

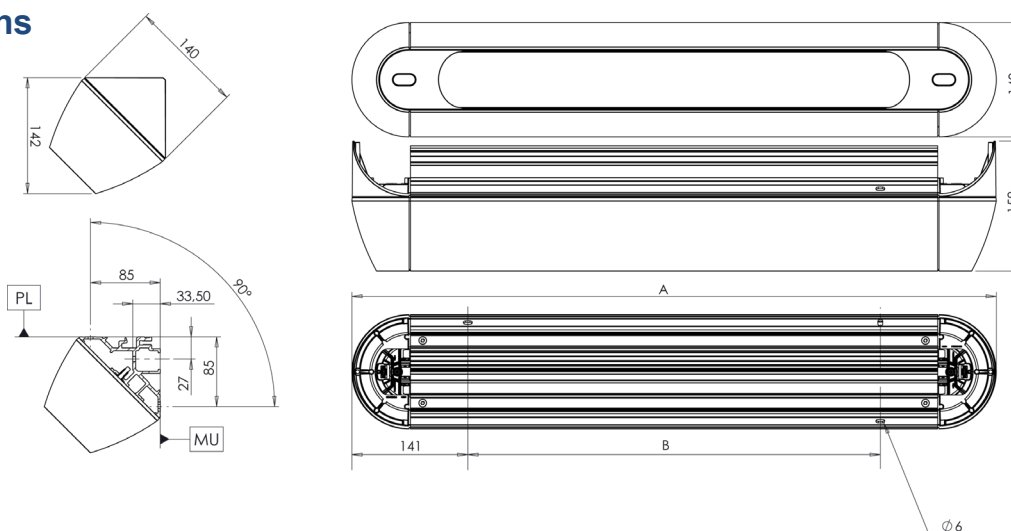
Approvals

Certificates available :

- CE certificate (as per EN60598-1 / 2-1 / 2-3)

Incandescent wire test certificate (depending on product)

Dimensions



A (mm)	Mounting distance B (mm)	KG
1066	783	9,80 Kg
1346	1063	11,95 Kg

Technical and dimensional data are given for information only and may be modified at any time without notice. Please enquire before ordering.

Technical data and order codes

SYSTEO A45 OPALESCENT							
Length L (mm)	CCT (K)	Power (W)	Power in standby (W)	Power factor	Luminaire output (lm)	Luminaire efficacy (lm/W)	Reference
1066	3000	9,1	9,1	-	0,75	800	55081300
1066	4000	9,1	9,1	-	0,75	850	55081400
1066	3000	14	14	-	0,85	1350	55021300
1066	4000	14	14	-	0,85	1400	55021400
1066	3000	26	26	-	0,90	2600	55031300
1066	4000	26	26	-	0,90	2700	55031400
1346	3000	19	19	-	0,90	1900	55041300
1346	4000	19	19	-	0,90	1950	55041400
1346	3000	37	37	-	0,95	3650	55051300
1346	4000	37	37	-	0,95	3800	55051400

SYSTEO A45 OPALESCENT – slave version + extinction warning							
Length L (mm)	CCT (K)	Power (W)	Power in standby (W)	Power factor	Luminaire output (lm)	Luminaire efficacy (lm/W)	Reference
1066	3000	9,0	<0,20	0,75	800	89	55081304
1066	4000	9,0	<0,20	0,75	850	97	55081404
1066	3000	14	<0,20	0,85	1350	96	55021304
1066	4000	14	<0,20	0,85	1400	100	55021404
1066	3000	26	<0,20	0,95	2600	100	55031304
1066	4000	26	<0,20	0,95	2700	104	55031404
1346	3000	19	<0,20	0,90	1900	100	55041304
1346	4000	19	<0,20	0,90	1950	103	55041404
1346	3000	37	<0,20	0,95	3650	99	55051304
1346	4000	37	<0,20	0,95	3800	103	55051404

SYSTEO A45 OPALESCENT – slave version + standby warning							
Length L (mm)	CCT (K)	Power (W)	Power in eco mode ⁽¹⁾ (W)	Power factor	Luminaire output (lm)	Luminaire efficacy (lm/W)	Reference
1066	3000	9,0	2,4	0,75	800	89	55081305
1066	4000	9,0	2,4	0,75	850	97	55081405
1066	3000	14	2,8	0,85	1350	96	55021305
1066	4000	14	2,8	0,85	1400	100	55021405
1066	3000	26	3,9	0,95	2600	100	55031305
1066	4000	26	3,9	0,95	2700	104	55031405
1346	3000	19	3,2	0,90	1900	100	55041305
1346	4000	19	3,2	0,90	1950	103	55041405
1346	3000	37	4,7	0,95	3650	99	55051305
1346	4000	37	4,7	0,95	3800	103	55051405

SYSTEO A45 OPALESCENT – with Pro detection + radio-control							
Technical specifications and conditions of use for detection : www.securlite.com (NOT0420)							
Length L (mm)	CCT (K)	Power (W)	Power in standby (W)	Power factor	Luminaire output (lm)	Luminaire efficacy (lm/W)	Reference
1066	3000	10	<0,50	0,77	800	80	55081316
1066	4000	10	<0,50	0,77	850	85	55081416
1066	3000	15	<0,50	0,80	1350	90	55021316
1066	4000	15	<0,50	0,80	1400	93	55021416
1066	3000	27	<0,50	0,90	2600	96	55031316
1066	4000	27	<0,50	0,90	2700	100	55031416
1346	3000	20	<0,50	0,90	1900	95	55041316
1346	4000	20	<0,50	0,90	1950	98	55041416
1346	3000	38	<0,50	0,95	3650	96	55051316
1346	4000	38	<0,50	0,95	3800	100	55051416

Technical and dimensional data are given for information only and may be modified at any time without notice. Please enquire before ordering.

Technical data and order codes

SYSTEO A45 OPALESCENT - DALI dimmable + switch dimming							
Technical specifications and conditions of use for dali : www.securlite.com (NOT0880)							
Length L (mm)	CCT (K)	Power (W)	Power in standby (W)	Power factor	Luminaire output (lm)	Luminaire efficacy (lm/W)	Reference
1066	3000	9,0	<0,20	0,75	800	89	55081321
1066	4000	9,0	<0,20	0,75	850	97	55081421
1066	3000	14	<0,20	0,85	1350	96	55021321
1066	4000	14	<0,20	0,85	1400	100	55021421
1066	3000	26	<0,20	0,95	2600	100	55031321
1066	4000	26	<0,20	0,95	2700	104	55031421
1346	3000	19	<0,20	0,90	1900	100	55041321
1346	4000	19	<0,20	0,90	1950	103	55041421
1346	3000	37	<0,20	0,95	3650	99	55051321
1346	4000	37	<0,20	0,95	3800	103	55051421

SYSTEO A45 OPALESCENT – with Pro detection + radio-control + extinction warning							
Technical specifications and conditions of use for detection : www.securlite.com (NOT0420)							
Length L (mm)	CCT (K)	Power (W)	Power in standby (W)	Power factor	Luminaire output (lm)	Luminaire efficacy (lm/W)	Reference
1066	3000	10	<0,50	0,77	800	80	55081344
1066	4000	10	<0,50	0,77	850	85	55081444
1066	3000	15	<0,50	0,85	1350	90	55021344
1066	4000	15	<0,50	0,85	1400	93	55021444
1066	3000	27	<0,50	0,95	2600	96	55031344
1066	4000	27	<0,50	0,95	2700	100	55031444
1346	3000	20	<0,50	0,90	1900	95	55041344
1346	4000	20	<0,50	0,90	1950	98	55041444
1346	3000	38	<0,50	0,95	3650	96	55051344
1346	4000	38	<0,50	0,95	3800	100	55051444

SYSTEO A45 OPALESCENT– with Pro detection + radio-control + standby warning							
Technical specifications and conditions of use for detection : www.securlite.com (NOT0420)							
Length L (mm)	CCT (K)	Power (W)	Power in eco mode ⁽¹⁾ (W)	Power factor	Luminaire output (lm)	Luminaire efficacy (lm/W)	Reference
1066	3000	10	3,2	0,77	800	80	55081345
1066	4000	10	3,2	0,77	850	85	55081445
1066	3000	15	3,6	0,85	1350	90	55021345
1066	4000	15	3,6	0,85	1400	93	55021445
1066	3000	27	4,7	0,95	2600	96	55031345
1066	4000	27	4,7	0,95	2700	100	55031445
1346	3000	20	4,0	0,90	1900	95	55041345
1346	4000	20	4,0	0,90	1950	98	55041445
1346	3000	38	5,5	0,95	3650	96	55051345
1346	4000	38	5,5	0,95	3800	100	55051445

(1) : eco mode: operating mode with luminous flux reduced to 10% of nominal.

Operating instruction : www.securlite.com (NOT0890)