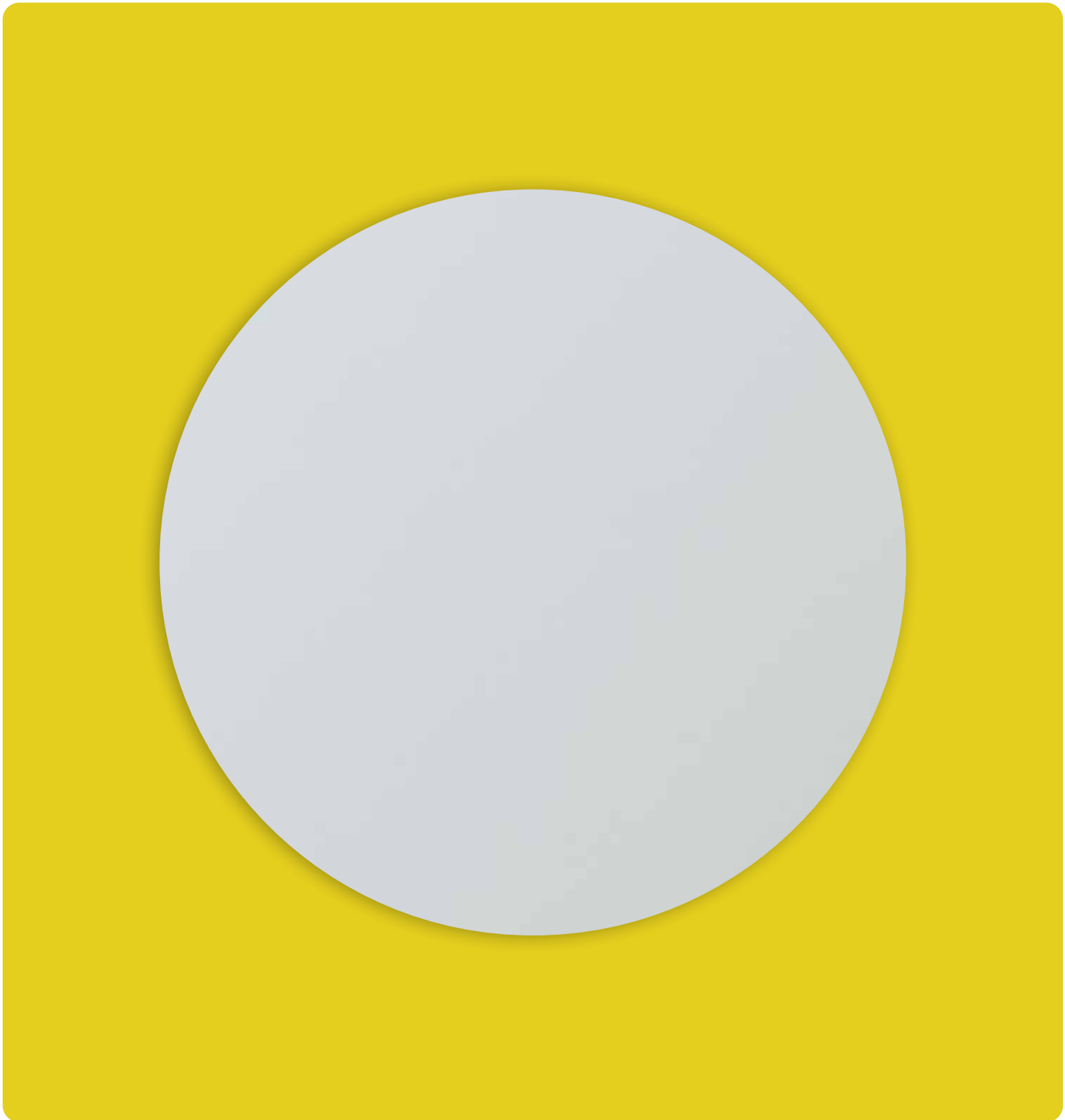


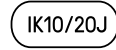


BVCert. 6037554



Standard

Vandal-resistant

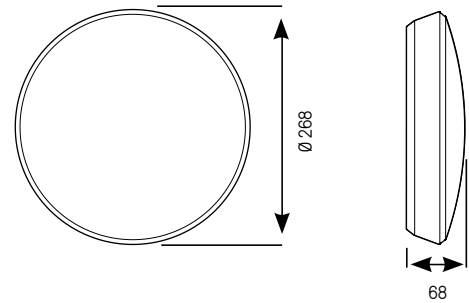
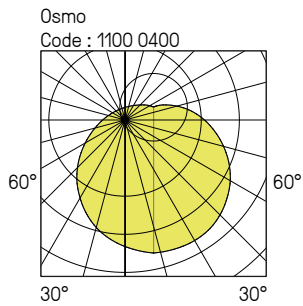


FEATURES:

- Low consumption architectural luminaire
- Recycled polycarbonate base
- 100% repairable luminaire
- Opalescent polycarbonate diffuser
- Side and rear cable entries
- CRI min. 80
- 5 years warranty
- Design: Stéphane Joyeux
- RAL 9003 ○

OPTIONS AVAILABLE ON REQUEST:

- Stainless steel torx screw



LED modules	CCT (K)	Power (W)	Luminaire light output (lm)	Luminaire efficacy (lm/W)	Code
LED 1200	3000	9	850	98	1100 0300
LED 1200	4000	9	1000	115	1100 0400

Lumen maintenance: L80B10 / 50,000 h



Screwing tool: 9811 0010

Screwing tool kit + 3 vis : 9811 0001
Screwing tool kit + 25 vis : 9811 0002

Coding: replace the two dashes (--) by the corresponding figures:

example 1100 04--

00 NO DETECTION
10 WITH DETECTION

Torx screw version: add the corresponding suffix to the product code: e.g. **1100 0400 9701**

DETAILS



